

LED RECESSED SQUARE WAFER SELECTABLE CCT



G-20225 3"



G-20226 4"

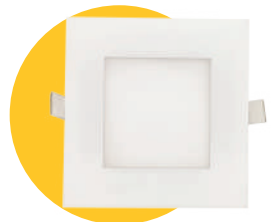


G-20228 6"



- SOFT WHITE 2700K
- WARM WHITE 3000K
- NEUTRAL WHITE 3500K
- COOL WHITE 4100K
- SUPER WHITE 5000K

G-20227 5"



G-20229 8"



- WARM WHITE 3000K
- COOL WHITE 4100K
- SUPER WHITE 5000K

ITEM	G-20225	G-20226	G-20227	G-20228	G-20229
DESCRIPTION	S3/8W/SQ/LED/5CCT	S4/12W/SQ/LED/5CCT	S5/15W/SQ/LED/3CCT	S6/18W/SQ/LED/5CCT	S8/24W/SQ/LED/3CCT
COLOR TEMP	27, 30, 35, 41, 50k	27, 30, 35, 41, 50k	30, 41, 50k	27, 30, 35, 41, 50k	30, 41, 50k
OUTPUT LUMEN	500	850	1100	1400	2200
BEAM ANGLE	100	100	100	100	100
INPUT VOLTS	120V	120V	120V	120V	120V
WATTAGE	8W	12W	15W	18W	24W
EQUIV WATTAGE	50W	75W	100W	150W	225W
CRI	>90	>90	>90	>90	>90
DIMMABLE	Yes	Yes	Yes	Yes	Yes
CUTOUT	2.94	4.25	5.25	6.20	8.25
OD	3.15	4.90	5.75	7.20	8.75
HEIGHT	2.00	2.00	2.00	2.00	2.00
mA	170mA	270mA	300mA	390mA	580mA
OUTPUT VOLTS	38v	38v	38v	38v	38v

Round Trim Replacements for 4 & 6" Wafer Selectable



4" G-48388 T4/SQ/COVER/BLACK
6" G-48394 T6/SQ/COVER/BLACK



Pack: 10/100



4" G-48389 T4/SQ/COVER/NICKEL
6" G-48395 T6/SQ/COVER/NICKEL



Pack: 10/100



4" G-48390 T4/SQ/COVER/BRONZE
6" G-48396 T6/SQ/COVER/BRONZE



Pack: 10/100



Dimmable:
5%



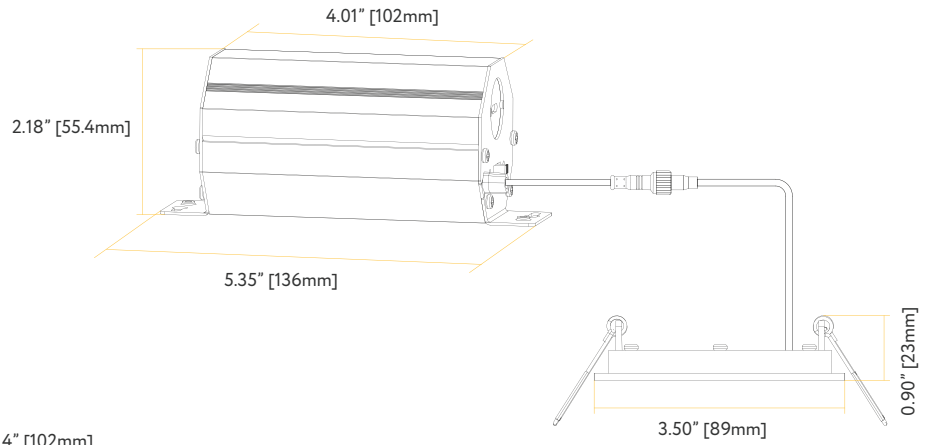
Lifetime:
50,000 hours



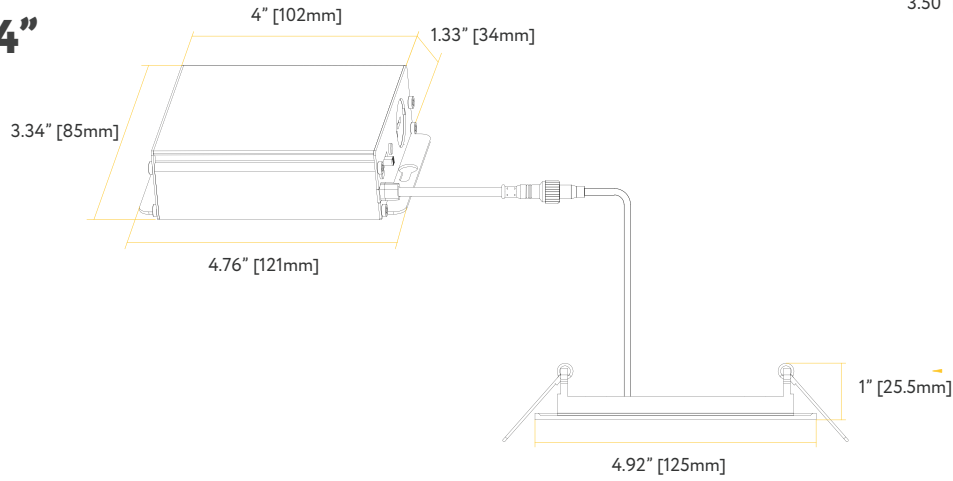
Warranty:
3 years



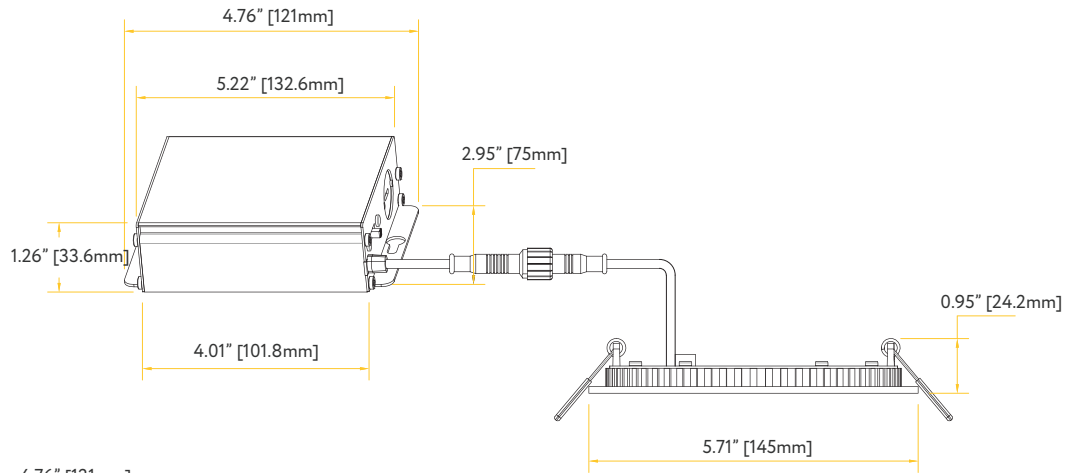
3"



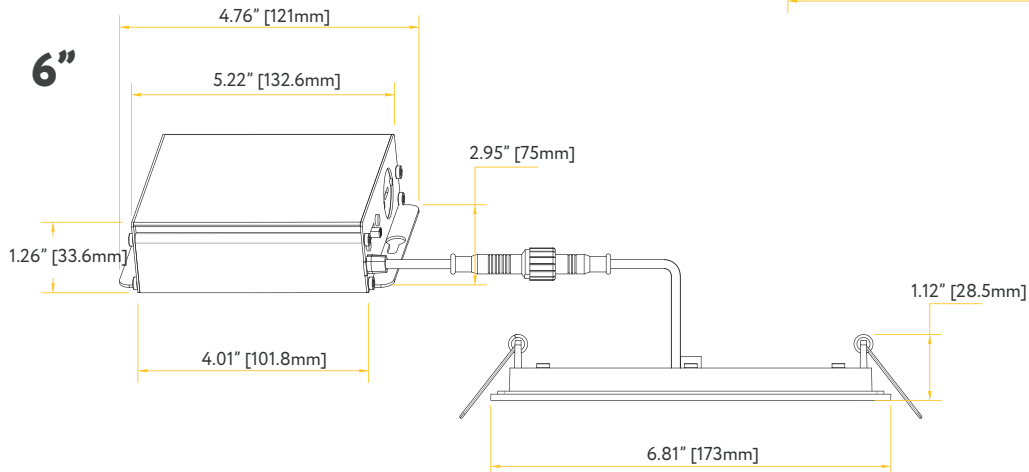
4"



5"



6"



Dimmer List

BRAND	SERIES	MODEL	LOAD	BRAND	SERIES	MODEL	LOAD
LUTRON	SKYLARK CONTOUR	LECL-153P	150W	LUTRON	TOGGLER	TGCL-153P	150W
		CTCL-150H	150W		ARIADNI	AYCL-153P	150W
		LGCL-153PLH	150W		MAESTRO	MACL-153M	600W
		CTCL-153P	150W	LEVITON	ILLUMATECH	IPL06	150W
		SCL-153P	150W		SURESLIDE	6672	150W
		S-600P	600W		SURESLIDE	6674	150W
	CASETA	PD-6WCL	150W	EATON	SMART DIMMER	AAL06	300W
		PD-5NE	150W	PASS & SEYMOUR	HARMONY	DCL453PTCCCV6	150W
		PD-10NXD	250W		GE	ROCKER	10464
		DIVA	DVCL-153P	150W		TOGGLE	18027

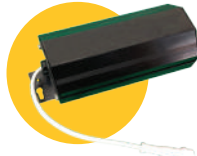
Accessories

Emergency LED Driver



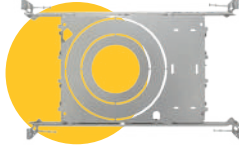
15W G-48410 30W G-48411

120-277V Driver

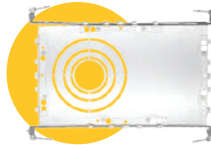


G-20225 use G-48300 Dim 0-10
 G-20226 use G-48301 Dim 0-10
 G-20227 use G-48302 Dim 0-10
 G-20228 use G-48303 Dim 0-10
 G-20229 use G-48327 Dim 0-10

New Construction Plate



ITEM G-19969
 Use for
 G-20225
 G-20226 (1 Punch Out)
 G-20228 (2 Punch Outs)



ITEM G-19981
 Use for
 G-20227 (3 Punch Outs)

Extension Cords



For Item#
 G-20225 G-20247 5ft
 G-20226 G-20248 10ft
 G-20227
 G-20228
 For Item#
 G-20227 G-48328 10ft