

ASTER 2" INTERCHANGEABLE MODULE



Wattage Selectable

Wattage Selectable

8W	ITEM	G-48340
	DESCRIPTION	M2/8W/LED/5CCT
	COLOR TEMP	27, 30, 35, 41, 50k
	OUTPUT LUMEN	600
	INPUT VOLTS	120V
	BEAM ANGLE	40°
	WATTAGE	8W
	EQUIV WATTAGE	60W
	DIMMABLE	YES
	HEIGHT	2.85
	OD	3.15
	CUTOUT	2.50
	CRI	>90
	IC RATED	YES
	mA	270mA
	OUTPUT VOLTAGE	33-38V

8W 14W	ITEM	G-20215
	DESCRIPTION	M2/14W/WS2/LED/5CCT
	COLOR TEMP	27, 30, 35, 41, 50k
	OUTPUT LUMEN	1200/750
	INPUT VOLTS	120-277V
	BEAM ANGLE	60°
	WATTAGE	14W/8W
	EQUIV WATTAGE	120W/65W
	DIMMABLE	TRIAC OR 0-10
	HEIGHT	5.50
	OD	3.15
	CUTOUT	2.50
	CRI	>90
	IC RATED	YES
	mA	310mA/190mA
	OUTPUT VOLTAGE	33-38V

14W 20W	ITEM	G-20213
	DESCRIPTION	M2/20W/WS2/LED/5CCT
	COLOR TEMP	27, 30, 35, 41, 50k
	OUTPUT LUMEN	1700/1200
	INPUT VOLTS	120/277V
	BEAM ANGLE	60°
	WATTAGE	20W/14W
	EQUIV WATTAGE	170W/125W
	DIMMABLE	TRIAC OR 0-10
	HEIGHT	5.50
	OD	3.15
	CUTOUT	2.50
	CRI	>90
	IC RATED	When set to 14W only
	mA	310mA / 460mA
	OUTPUT VOLTAGE	33-38V

- SOFT WHITE 2700K
- WARM WHITE 3000K
- NEUTRAL WHITE 3500K
- COOL WHITE 4100K
- SUPER WHITE 5000K

- SOFT WHITE 2700K
- WARM WHITE 3000K
- NEUTRAL WHITE 3500K
- COOL WHITE 4100K
- SUPER WHITE 5000K

- SOFT WHITE 2700K
- WARM WHITE 3000K
- NEUTRAL WHITE 3500K
- COOL WHITE 4100K
- SUPER WHITE 5000K

Dimmable: 5%
 Lifetime: 50,000 hours
 Warranty: 3 years



Trims



G-48341

T2/R/W

White

Round



G-48342

T2/SQ/W

White

Square

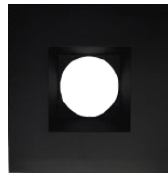


G-48343

T2/R/B

Black

Round



G-48344

T2/SQ/B

Black

Square

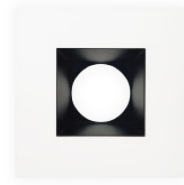


G-48345

T2/R/BW

Two-tone

Round



G-48346

T2/SQ/BW

Two-tone

Square

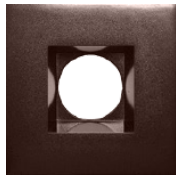


G-48347

T2/R/BZ

Bronze

Round



G-48348

T2/SQ/BZ

Bronze

Square

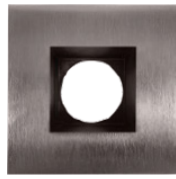


G-48354

T2/R/BN

Brushed Nickel

Round



G-48355

T2/SQ/BN

Brushed Nickel

Square

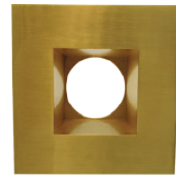


G-48349

T2/R/BB

Brushed Brass

Round



G-48356

T2/SQ/BB

Brushed Brass

Square



Pack: 8/64

Trimless **NEW**

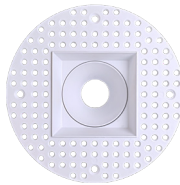


G-10913

K2/RD/W/TL

White

Round



G-10921

K2/SQ/W/TL

White

Square

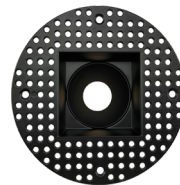


G-10914

K2/RD/BL/TL

Black

Round

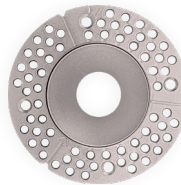


G-10922

K2/SQ/BL/TL

Black

Square

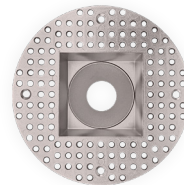


G-10915

K2/RD/BN/TL

Nickel

Round



G-10923

K2/SQ/BN/TL

Nickel

Square

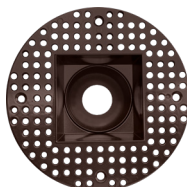


G-10916

K2/RD/BR/TL

Bronze

Round

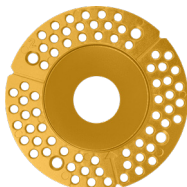


G-10924

K2/SQ/BR/TL

Bronze

Square

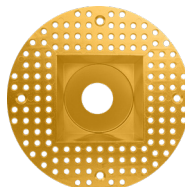


G-10917

K2/RD/BB/TL

Brass

Round



G-10925

K2/SQ/BB/TL

Brass

Square

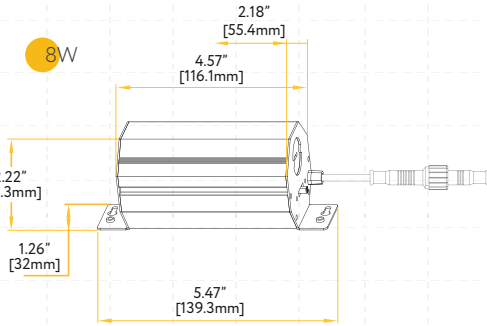


Pack: 36

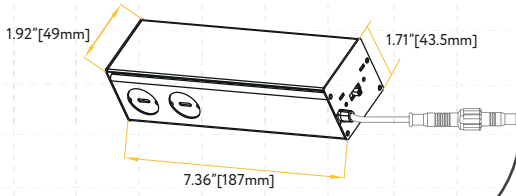
STYLE	CUT OUT	OD	HEIGHT	PLATE
TRIMMED	2.50"	3.15"	Regular 2.85" / HO 5.50"	G-19981 1 Punch Out
TRIMLESS ROUND	2.80"	4.53"	Regular 2.89" / HO 5.47"	G-19969
TRIMLESS SQUARE	Sq 3.10" Rd 4.32"	6.50"	Regular 3.68" / HO 6.26"	G-19969 1 Punch Out

Drivers

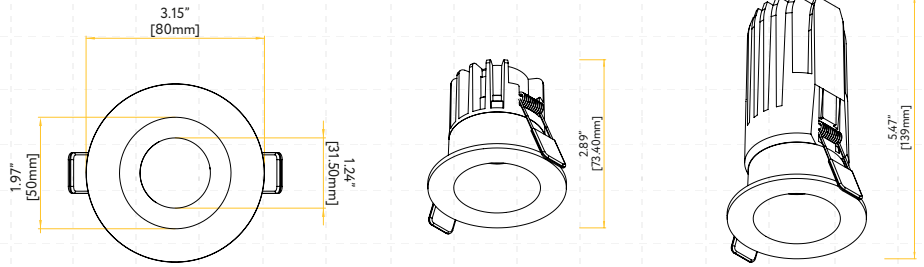
8W



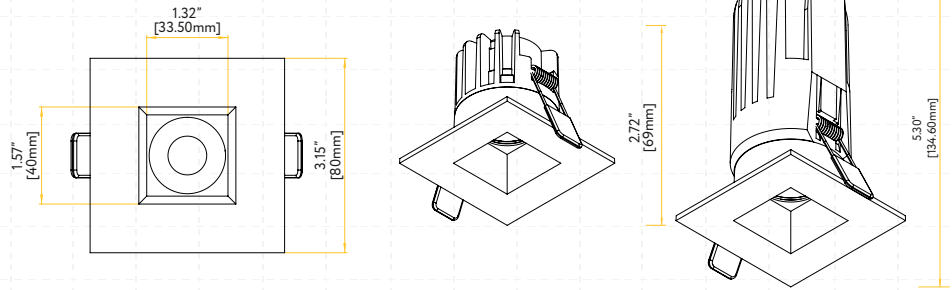
14/8W
20/14W



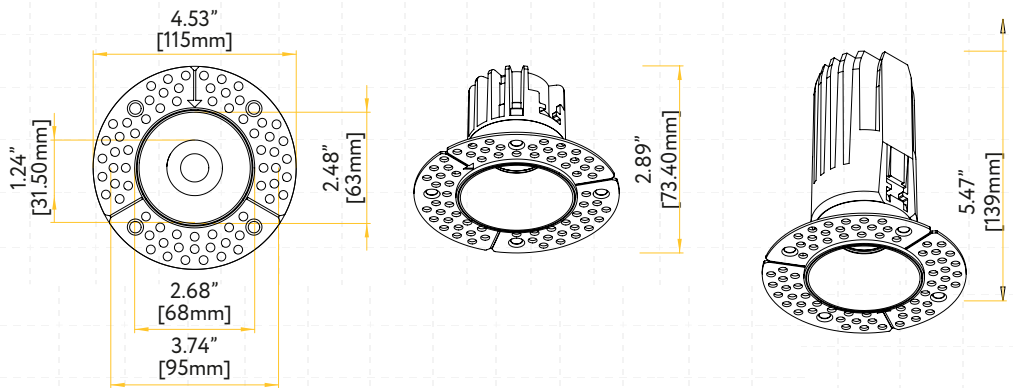
Trimmed Round



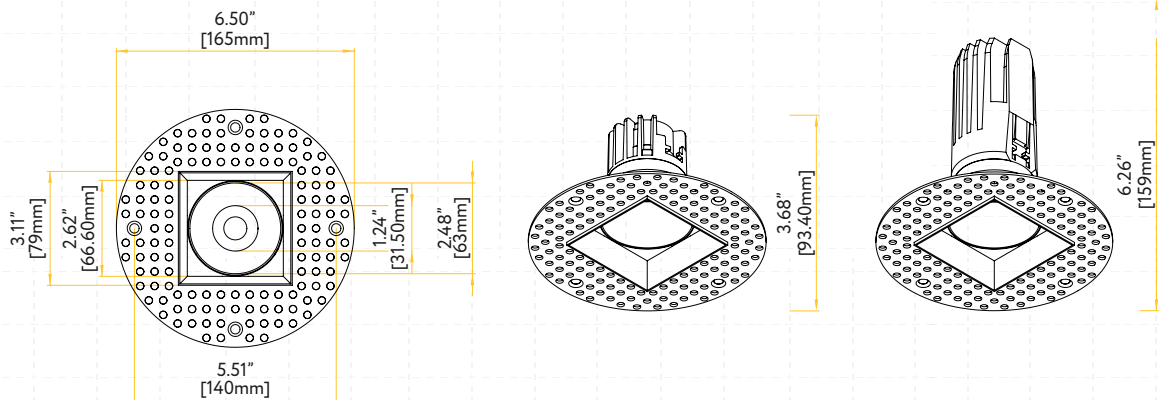
Trimmed Square



Trimless Round



Trimless Square



Dimmer List:

BRAND	SERIES	MODEL	LOAD	BRAND	SERIES	MODEL	LOAD
LUTRON	SKYLARK CONTOUR	LECL-153P	150W	LUTRON	TOGLER	TGCL-153P	150W
		CTCL-150H	150W		ARIADNI	AYCL-153P	150W
		LGCL-153PLH	150W		MAESTRO	MACL-153M	600W
		CTCL-153P	150W	LEVITON	ILLUMATECH	IPL06	150W
		SCL-153P	150W		SURESLIDE	6672	150W
		S-600P	600W	6674	150W		
	CASETA	PD-6WCL	150W	EATON	SMART DIMMER	AAL06	300W
		PD-5NE	150W	PASS & SEYMOUR	HARMONY	DCL453PTCCCV6	150W
		PD-10NXD	250W	GE	ROCKER	10464	150W
	DIVA	DVCL-153P	150W		TOGGLE	18027	150W

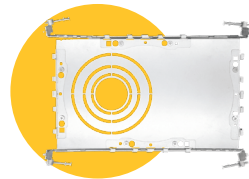
Accessories



Emergency LED Driver

15W G-48410 60W G-95521

30W G-48411 25W G-95525



New Construction Plate

See page 2 for details



Extension Cords

G-20247 5ft

G-20248 10ft



Multi Driver Converter

G-48340 use G-95823 8W

G-20215 use G-95823 8W / G-95825 14W

G-20213 use G-95825 14W / G-95826 20W