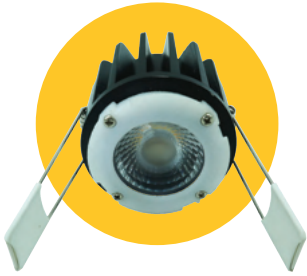


# 2" REGRESS LUMINAIRE CHANGEABLE TRIM



**G-48340**



**G-20215**

| ITEM              | G-48340             | G-20215             |
|-------------------|---------------------|---------------------|
| DESCRIPTION       | M2/8W/LED/5CCT      | M2/14W/LED/5CCT     |
| COLOR TEMPERATURE | 27, 30, 35, 41, 50K | 27, 30, 35, 41, 50K |
| INPUT VOLTS       | 120                 | 120                 |
| OUTPUT LUMEN      | 600                 | 1000                |
| BEAM ANGLE        | 40°                 | 60°                 |
| WATTAGE           | 8W                  | 14W                 |
| EQUIV. WATTAGE    | 60W                 | 120W                |
| DIMMABLE          | Yes                 | Yes                 |
| HEIGHT            | 2.85                | 5.50                |
| OD                | 3.15                | 3.15                |
| CUTOUT            | 2.50                | 2.50                |
| CRI               | 90>                 | 90>                 |
| mA                | 270mA               | 340mA               |
| OUTPUT VOLTAGE    | 33-38v              | 33-38v              |



- SOFT WHITE 2700K
- WARM WHITE 3000K
- NEUTRAL WHITE 3500K
- COOL WHITE 4100K
- SUPER WHITE 5000K



**G-48341**

T2/R/W

White  
Round



**G-48343**

T2/R/B

Black  
Round



**G-48345**

T2/R/BW

Two-tone  
Round



**G-48347**

T2/R/BZ

Bronze  
Round



**G-48354**

T2/R/BN

Brushed Nickel  
Round



**G-48349**

T2/R/BB

Brushed Brass  
Round



**G-48342**

T2/SQ/W

White  
Square



**G-48344**

T2/SQ/B

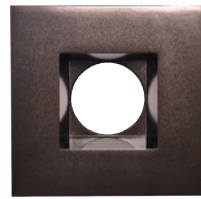
Black  
Square



**G-48346**

T2/SQ/BW

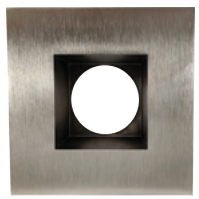
Two-tone  
Square



**G-48348**

T2/SQ/BZ

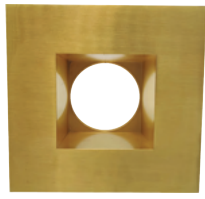
Bronze  
Square



**G-48355**

T2/SQ/BN

Brushed Nickel  
Square



**G-48356**

T2/SQ/BB

Brushed Brass  
Square



Pack:  
8/64



Dimmable:  
5%



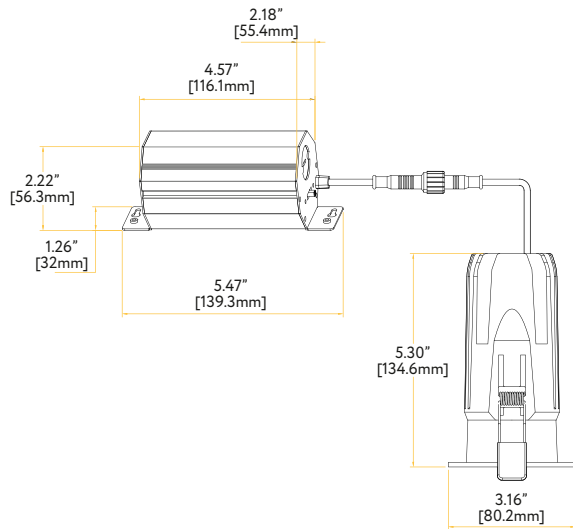
Lifetime:  
50,000 hours



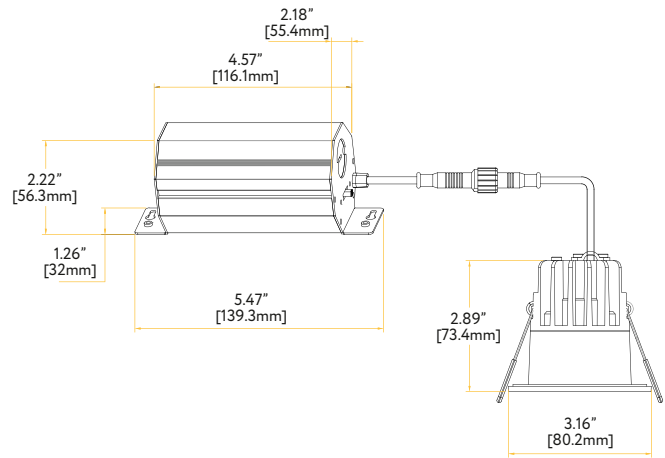
Warranty:  
3 years



## G-20215



## G-48340



## Dimmer List

| BRAND  | SERIES          | MODEL       | LOAD | BRAND          | SERIES       | MODEL         | LOAD      |
|--------|-----------------|-------------|------|----------------|--------------|---------------|-----------|
| LUTRON | SKYLARK CONTOUR | LECL-153P   | 150W | LUTRON         | TOGLER       | TGCL-153P     | 150W      |
|        |                 | CTCL-150H   | 150W |                | ARIADNI      | AYCL-153P     | 150W      |
|        |                 | LGCL-153PLH | 150W |                |              | MAESTRO       | MACL-153M |
|        |                 | CTCL-153P   | 150W | ILLUMATECH     | IPL06        | 150W          |           |
|        |                 | SCL-153P    | 150W |                | LEVITON      | 6672          | 150W      |
|        |                 | S-600P      | 600W | SURESLIDE      |              | 6674          | 150W      |
|        | CASETA          | PD-6WCL     | 150W | EATON          | SMART DIMMER | AAL06         | 300W      |
|        |                 | PD-5NE      | 150W | PASS & SEYMOUR | HARMONY      | DCL453PTCCCV6 | 150W      |
|        |                 | PD-10NXD    | 250W |                |              | GE            | ROCKER    |
|        | DIVA            | DVCL-153P   | 150W | TOGGLE         | 18027        |               | 150W      |

## Accessories

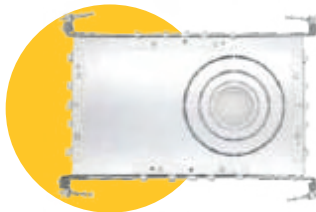
### Emergency LED Driver

15W G-48410 30W G-48411



### New Construction Plate

ITEM G-19981 (One Punch)



### Extension Cords

G-20247 5ft G-20248 10ft

