

3.5" Multiple LED Gimbal Downlight Selectable CCT



- SOFT WHITE 2700K
- WARM WHITE 3000K
- NEUTRAL WHITE 3500K
- COOL WHITE 4100K
- SUPER WHITE 5000K



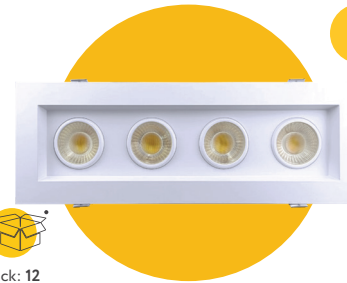
G-48441



G-48442



G-48443



G-97128



ITEM	G-48441	G-48442	G-48443	G-97128
DESCRIPTION	R3.5/14W/GR/M1/LED/5CCT	R3.5/28W/GR/M2/LED/5CCT	R3.5/42W/GR/M3/LED/5CCT	R3.5/52W/GR/M4/LED/5CCT
COLOR TEMP	27, 30, 35, 41, 50k	27, 30, 35, 41, 50k	27, 30, 35, 41, 50k	27, 30, 35, 41, 50k
TRIM FINISH	WHITE	WHITE	WHITE	WHITE
OUTPUT LUMEN	1400	2200 (1100 each head)	3300 (1100 each head)	4800 (1200 each head)
WATTAGE	14W	28W	42W	52W
EQUIV WATTAGE	125W	225W	325W	375W
CRI	>90	>90	>90	>90
DIMMABLE	Triac or 0-10 Dimming	YES	YES	Triac or 0-10 Dimming
CUTOUT	SQ 4.00" - RD 5.15"	SQ 3.94" - RD 7.68"	SQ 3.94" - RD 11.42"	SQ 4.00" - RD 15.30"
OD	5.80"	5.85" - 9.60"	5.85" - 13.35"	5.85" - 17.05"
HEIGHT	3.50"	3.55"	3.55"	3.55"
mA	350mA	650mA	1000mA	1250mA
INPUT VOLTS	120-277V	120V	120V	120-227V
OUTPUT VOLTS	38V	36V	36V	36V
WIRE SPACE	10.4 Sq	10.9 Sq	10.9 Sq	10.9 Sq



Dimmable:
5%



Lifetime:
50 000 hours



Warranty:
3 years



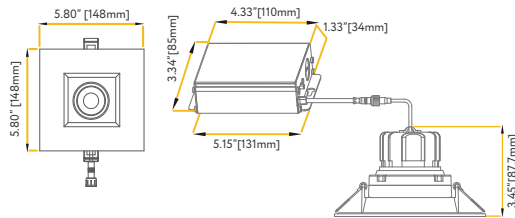
Dimmer List

BRAND	SERIES	MODEL	LODAL
LUTRON	SKYLARK CONTOUR	LECL-153P	150W
		CTCL-150H	150W
		LGCL-153PHLH	150W
		CTCL-153P	150W
		SCL-153P	150W
		S-600P	600W
	CASETA	PD-6WCL	150W
		PD-5NE	150W
		PD-10NXD	250W
		DIVA	DVCL-153P

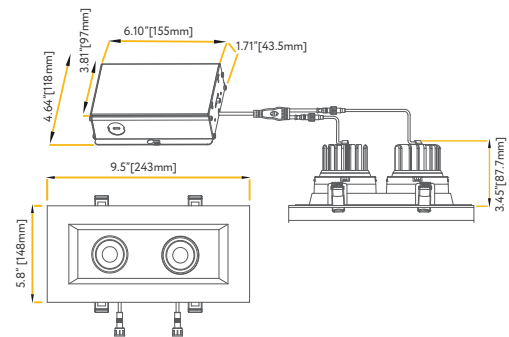
BRAND	SERIES	MODEL	LODAL
LUTRON	TOGLER	TGCL-153P	150W
	ARIADNI	AYCL-153P	150W
	MAESTRO	MACL-153M	600W
	ILLUMATECH	IPL06	150W
LEVITON	SURESLIDE	6672	150W
		6674	150W
EATON	SMART DIMMER	AAL06	300W
PASS & SEYMOUR	HARMONY	DCL453PTCCCV6	150W
GE	ROCKER	10464	150W
	TOGLER	18027	150W

Diagram

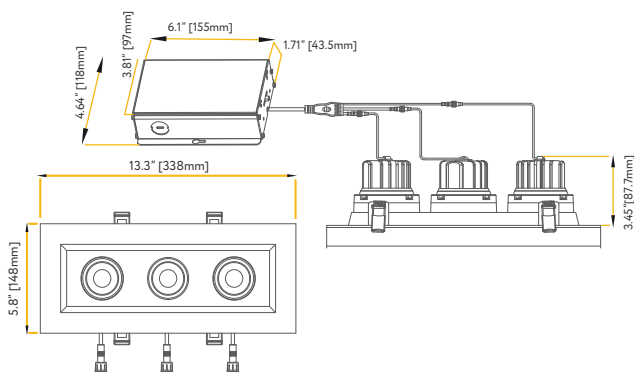
G-48441



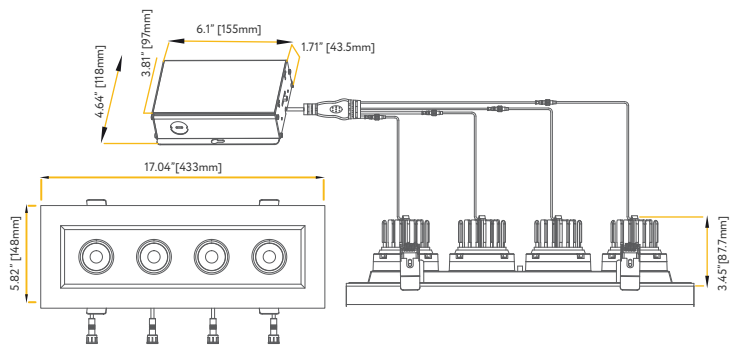
G-48442



G-48443



G-97128



Accessories

Emergency LED Driver

15W G-48410

60W G-95521

30W G-48411

25W G-95525



Extension Cords

G-20247 5ft

G-20248 10ft



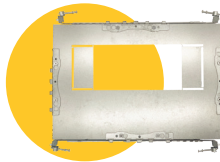
New Construction Plate

G-48441 Use Item G-19981 / 3 Punch Outs

G-48442 Use Item G-48448 / 0 Punch Outs

G-48443 Use Item G-48448 / 1 Punch Outs

G-97128 Use Item G-48449 / 2 Punch Outs



120-277V Drivers (0-10 Dimming)

G-48442 Need to Use G-48446

G-48443 Need to Use G-48447

