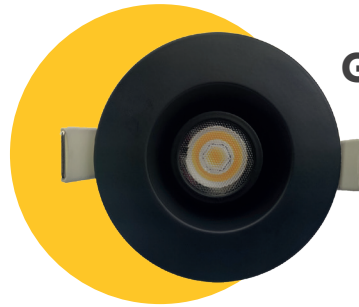


2" LED REGRESS GIMBAL LUMINAIRE SELECTABLE CCT



G-20087



G-20080



G-20088



G-20083



Pack:18

ITEM	G-20087	G-20088	G-20080	G-20083
DESCRIPTION	R2/5W/GRR/LED/5CCT	R2/5W/GSR/LED/5CCT	R2/5W/GRR/LED/5CCT B	R2/5W/GSR/LED/5CCT B
COLOR TEMP	27, 30, 35, 41, 50k	27, 30, 35, 41, 50k	27, 30, 35, 41, 50k	27, 30, 35, 41, 50k
OUTPUT LUMEN	400	400	400	400
TRIM FINISH	WHITE	WHITE	BLACK	BLACK
INPUT VOLTS	120V	120V	120V	120V
WATTAGE	5W	5W	5W	5W
EQUIV. WATTAGE	50W	50W	50W	50W
CRI	>90	>90	>90	>90
DIMMABLE	Yes	Yes	Yes	Yes
OD	3.00	3.00	3.00	3.00
HEIGHT	2.00	2.00	2.00	2.00
CUTOUT	2.45	2.45	2.45	2.45
mA	110	110	110	110
OUTPUT VOLTS	33-38V	33-38V	33-38V	33-38V



Dimmable:
5%



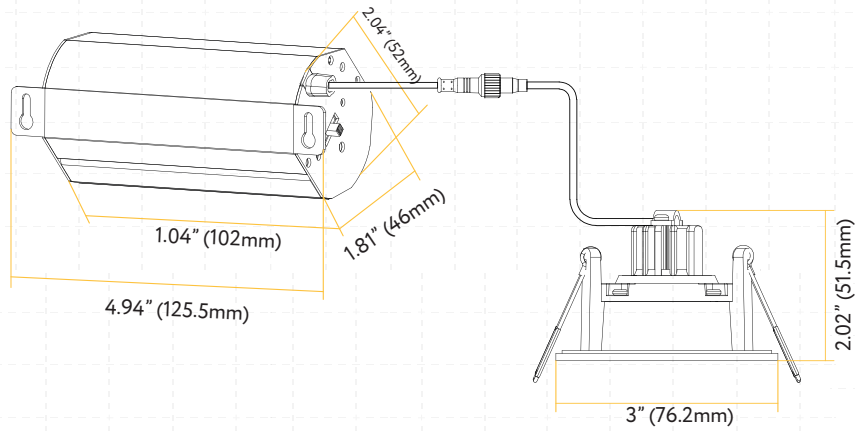
Lifetime:
50,000 hours



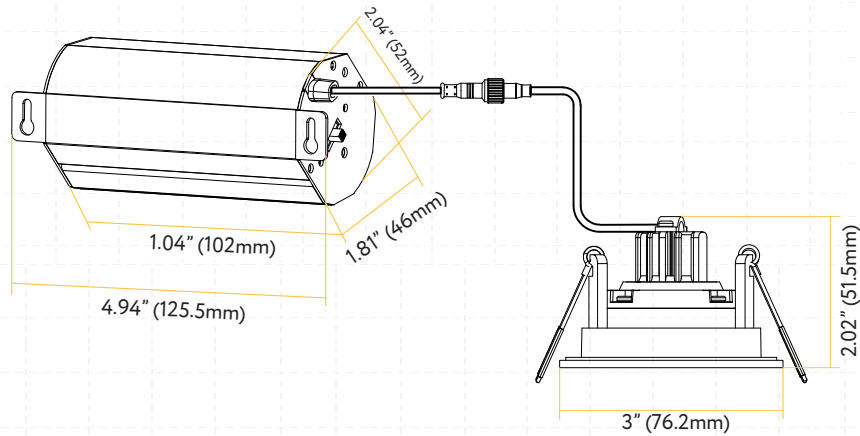
Warranty:
3 years



Round



Square



Dimmer List

BRAND	SERIES	MODEL	LOAD	BRAND	SERIES	MODEL	LOAD	
LUTRON	SKYLARK CONTOUR	LECL-153P	150W	LUTRON	TOGLER	TGCL-153P	150W	
		CTCL-150H	150W		ARIADNI	AYCL-153P	150W	
		LGCL-153PLH	150W		MAESTRO	MACL-153M	600W	
		CTCL-153P	150W		ILLUMATECH	IPL06	150W	
		SCL-153P	150W		LEVITON	SURESLIDE	6672	150W
		S-600P	600W			SURESLIDE	6674	150W
	CASETA	PD-6WCL	150W	EATON	SMART DIMMER	AAL06	300W	
		PD-5NE	150W	PASS & SEYMOUR	HARMONY	DCL453PTCCCV6	150W	
		PD-10NXD	250W	GE	ROCKER	10464	150W	
	DIVA	DVCL-153P	150W		TOGGLE	18027	150W	

Accessories

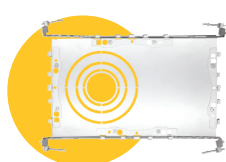
Emergency LED Driver

15W G-48410 30W G-48411
25W G-95525 60W G-95521



New Construction Plate

G-19981 (1 Punch Out)



Extension Cords

G-20247 5ft G-20248 10ft



Multi Driver Converter

Use with G-95823 5W

