



**G-20249**



- SOFT WHITE 2700K
- WARM WHITE 3000K
- NEUTRAL WHITE 3500K
- COOL WHITE 4100K
- SUPER WHITE 5000K



Pack:18

ITEM		G-20249	
DESCRIPTION	R3/16W/R/LED/TL/5CCT HO	DIMMABLE	Yes
COLOR TEMP	27, 30, 35, 41, 50k	CUTOUT	3.4
OUTPUT LUMEN	1450	OD	5.85
INPUT VOLTS	120V	HEIGHT	5.2
WATTAGE	16W	mA	360
EQUIV. WATTAGE	125W	OUTPUT VOLTS	36V DC
CRI	>90		

## Accessories

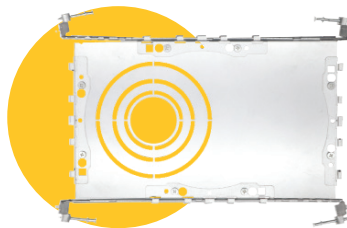
### Emergency LED Driver

15W G-48410    30W G-48411



### New Construction Plate

G-19981 (2 Punch Out)



### Extension Cords

G-20210 6ft G-20211 10ft



Dimmable:  
5%

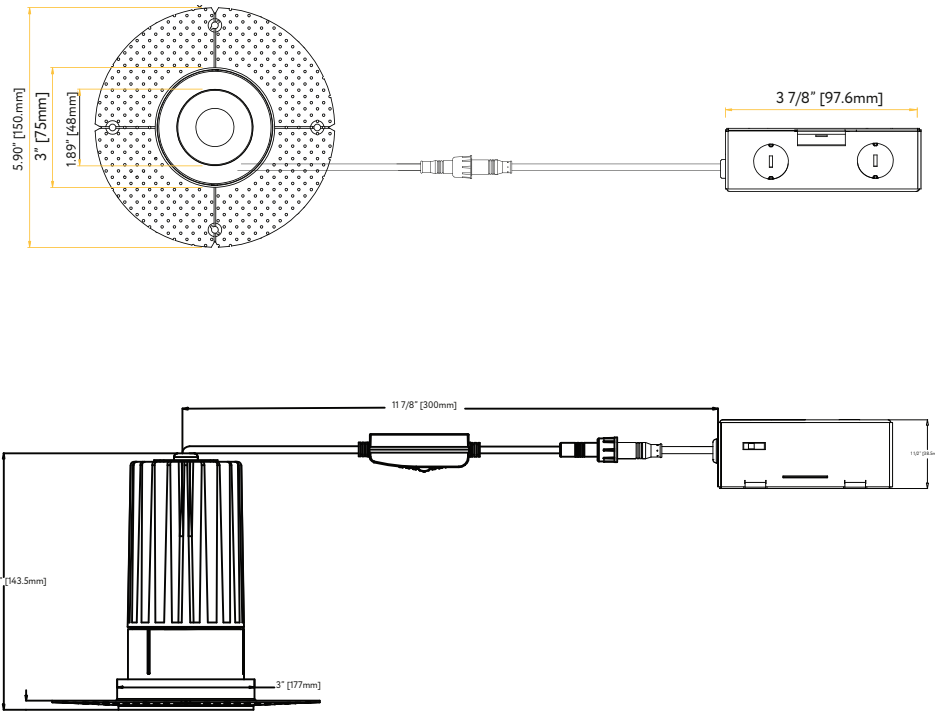


Lifetime:  
50,000 hours



Warranty:  
3 years





## Dimmer List

BRAND	SERIES	MODEL	LOAD	DIMMABILITY	BRAND	SERIES	MODEL	LOAD	DIMMABILITY
LUTRON	ARIADNI	AYCL-153P	150W	OK	LUTRON	TOGGLER	TG-600P	600W	OK
	DIVA	DV-600PR	600W	OK		TOGGLER	TGCL-153P	150W	OK
	DIVA	DVCL-153P	150W	OK		CASETA	WIRELESS DIMMER	150W	OK
	MAESTRO	MACL-153MH	600W	OK	LEVITON	SURESLIDE	6633	600W	OK
	MAESTRO WIRELESS	MRF2-6CL	150W	OK		SURESLIDE DECORA	6674	600W	20-100%
	ROTARY	D-600P	600W	OK		TRIMATRON	6602	600W	20-100%
	ELECTRONIC	NTELV-300P	600W	OK		ILLVMATECH	IPL06	600W	OK
	SKYLARK	S-600P	600W	OK	LEGRAND	ADORNE	ADTP703TU	700W	20-100%
	SKYLARK CONTOUR	CT-600P	600W	OK		HARMONY	H703PTW	700W	OK
	SKYLARK CONTOUR	CLCL-153P	153W	OK	COOPER	ASPIRE	9540	1000W	OK
				DEVINE		DAL06P	300W	OK	

