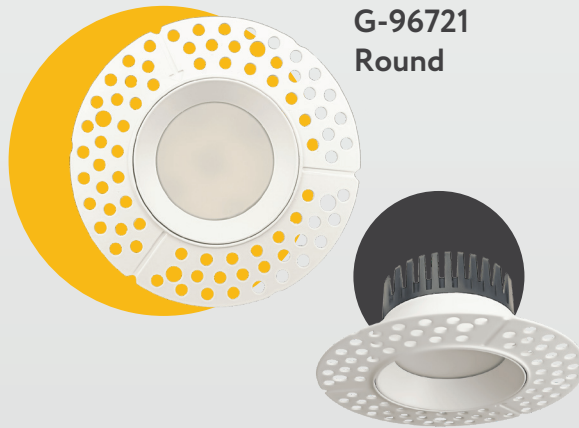
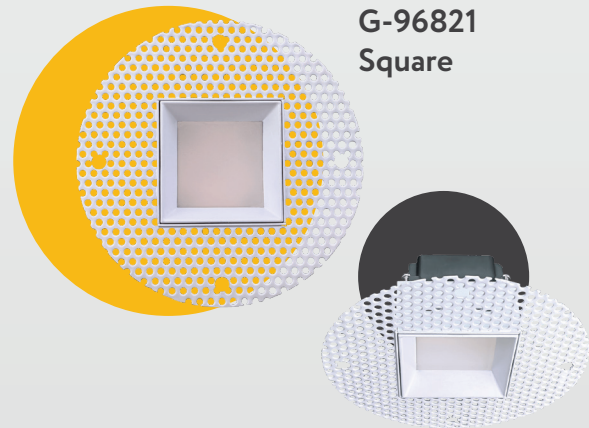


LED

3" TRIMLESS REGRESS SLIM SELECTABLE CCT



G-96721
Round



G-96821
Square

ITEM	G-96721				
DESCRIPTION	RS3/10W/R/LED/TL/SCCT	EQUIV. WATTAGE	80W	CUTOUT	2.85"
COLOR TEMP	27, 30, 35, 41, 50k	CRI	90>	mA	230
OUTPUT LUMEN	750	DIMMABLE	Triac Or 0-10 Dimming	OUTPUT VOLTS	33-38V
INPUT VOLTS	120-277V	OD	4.52"	PLATE	G-19969
WATTAGE	10W	HEIGHT	1.93"	PACK	18

ITEM	G-96821				
DESCRIPTION	RS3/10W/SQ/LED/TL/SCCT	EQUIV. WATTAGE	80W	CUTOUT	Sq 2.45" Rd 3.24"
COLOR TEMP	27, 30, 35, 41, 50k	CRI	90>	mA	230
OUTPUT LUMEN	750	DIMMABLE	Triac Or 0-10 Dimming	OUTPUT VOLTS	33-38V
INPUT VOLTS	120-277V	OD	5.11"	PLATE	G-19981 (2)
WATTAGE	10W	HEIGHT	2.00"	PACK	18

Content

- Led 3" Trimless Regress Slim
- Selectable CCT _____ 1
- Accessories _____ 2
- Dimensions _____ 2
- Installation Instructions _____ 2
- Dimmer List _____ 3

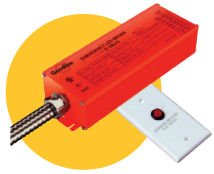
Lifetime:
50,000 hours

Dimmable: 5%
Triac or 0-10

Warranty:
3 years

Multi Volts:
120-277V

Accessories



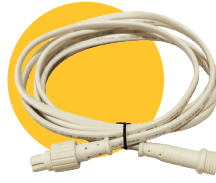
Emergency LED Driver

- 15W G-48410
- 60W G-95521
- 30W G-48411
- 25W G-95525



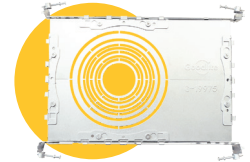
Multi Driver Converter

Use with G-95824 10W



Extension Cords

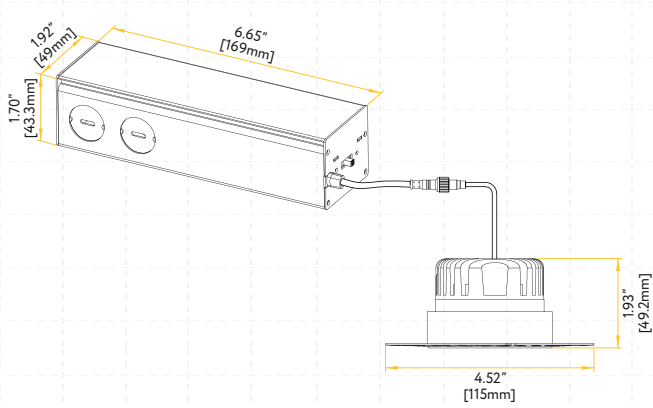
- G-20247 5ft
- G-19822 20ft
- G-20248 10ft
- G-19823 30ft



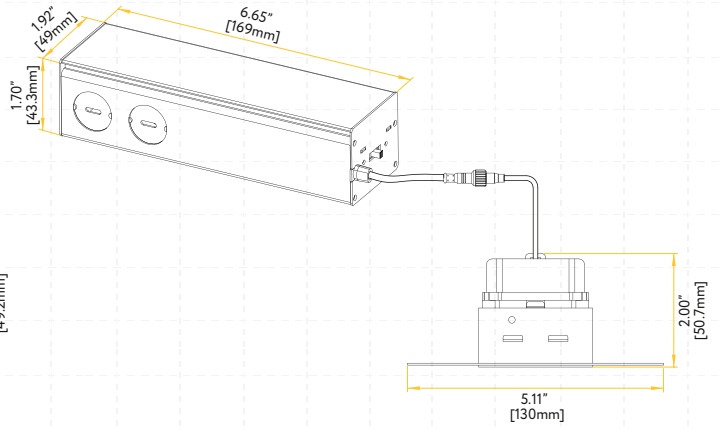
New Construction Plate

Dimensions

Trimmed Round



Trimmed Square



Installation Instructions

1. Prepare the ceiling surface.
2. Install the plaster frame and secure it with screws.
3. Attach the mounting plate to the plaster frame.
4. Connect the wiring. Labels include: Quick connect push-in terminals, White wire, Black wire, Quick connect push-in terminals, and Cable to fixture.
5. Attach the LED fixture to the mounting plate.
6. Turn the LED fixture clockwise to lock it in place.
7. The fixture is now installed.

Dimmer List

BRAND	SERIES	MODEL	LOAD	BRAND	SERIES	MODEL	LOAD
LUTRON	SKYLARK CONTOUR	LECL-153P	150W	LUTRON	TOGLER	TGCL-153P	150W
		CTCL-150H	150W		ARIADNI	AYCL-153P	150W
		LGCL-153PLH	150W		MAESTRO	MACL-153M	600W
		CTCL-153P	150W	LEVITON	ILLUMATECH	IPL06	150W
		SCL-153P	150W		SURESLIDE	6672	150W
		S-600P	600W		6674	150W	
	CASETA	PD-6WCL	150W	EATON	SMART DIMMER	AAL06	300W
		PD-5NE	150W	PASS & SEYMOUR	HARMONY	DCL453PTCCCV6	150W
		PD-10NXD	250W	GE	ROCKER	10464	150W
	DIVA	DVCL-153P	150W		TOGGLE	18027	150W