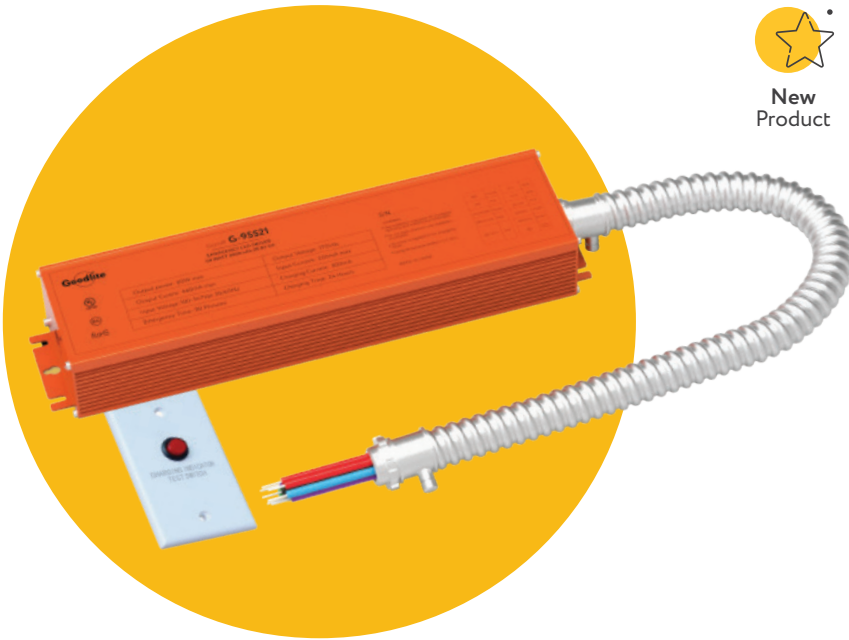


Emergency LED Driver 60W For Isolated & Non Isolated Drivers



New Product

G-95521



ITEM	
DESCRIPTION	EM/60W 4000mAh 28.8V
OUTPUT MAX MILLIAMPS	4000mA
OUTPUT VOLTAGE	170Vdc
OUTPUT WATTAGE	60W
ILLUMINATION TIME	90 Minutes
INPUT VOLTAGE	120/347v
CHARGING CURRENT	160mA
RECHARGING TIME	24 Hours
PACKAGE (INNER/MASTER)	10 Units

LIMITLESS OPTIONS FOR THE FOLLOWING APPLICATIONS COMPATIBLE WITH

- T8 Lamps
- Slim Wafer
- Retrofits
- Downlight
- LED Bulbs
- Steplight

Listed for field installation UL924 and CSA C22.2 NO.141

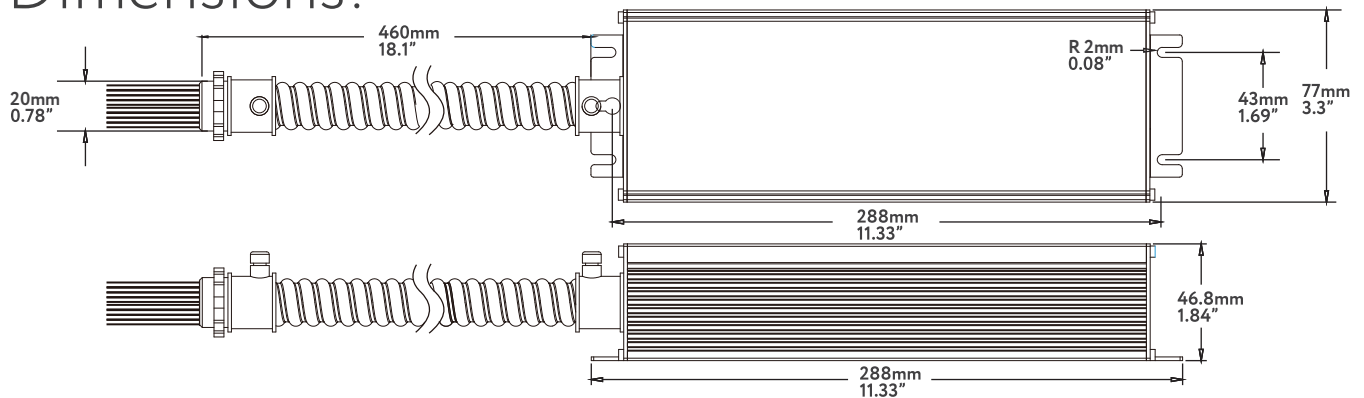
Universal input 100-347Vac



Dimmable: 10%

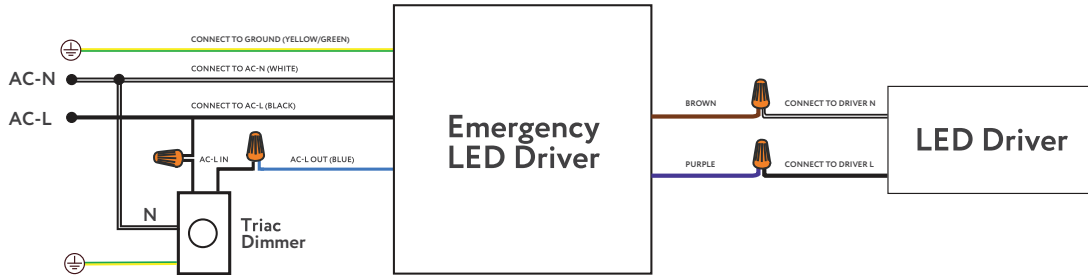


Dimensions:



Wiring Diagram

1. For triac dimmable LED luminaires (Power ≤ 60W)



2. For non dimmable LED luminaires (Power ≤ 60W)

