

# 6" LED REGRESS GIMBAL LUMINAIRE SELECTABLE CCT



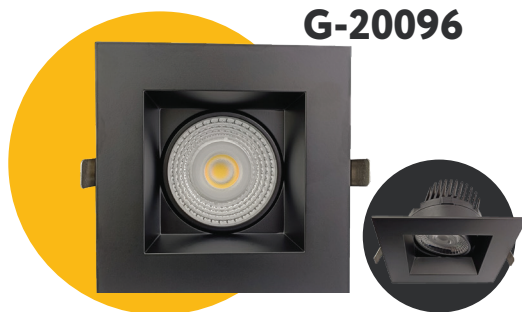
**G-20093**



**G-20094**



**G-20095**



**G-20096**



- SOFT WHITE 2700K
- WARM WHITE 3000K
- NEUTRAL WHITE 3500K
- COOL WHITE 4100K
- SUPER WHITE 5000K



Pack: 6

ITEM	G-20093	G-20094	G-20095	G-20096
DESCRIPTION	R6/22W/GRR/LED/5CCT	R6/22W/GSR/LED/5CCT	R6/22W/GRR/LED/5CCT B	R6/22W/GSR/LED/5CCT B
COLOR TEMP	27, 30, 35, 41, 50k	27, 30, 35, 41, 50k	27, 30, 35, 41, 50k	27, 30, 35, 41, 50k
OUTPUT LUMEN	2200	2200	2200	2200
TRIM FINISH	WHITE	WHITE	BLACK	BLACK
INPUT VOLTS	120-277V	120-277V	120-277V	120-277V
WATTAGE	22W	22W	22W	22W
EQUIV. WATTAGE	225W	225W	225W	225W
CRI	>90	>90	>90	>90
DIMMABLE	Triac Or 0-10 Dimming	Triac Or 0-10 Dimming	Triac Or 0-10 Dimming	Triac Or 0-10 Dimming
OD	7.15	7.15	7.15	7.15
HEIGHT	5.00	5.00	5.00	5.00
CUTOUT	6.00	Sq 6" Rd 6.80	6.00	Sq 6" Rd 6.80
mA	500	500	500	500
OUTPUT VOLTS	33-38V	33-38V	33-38V	33-38V



Dimmable: 5%  
Triac Or 0-10



Lifetime:  
50,000 hours

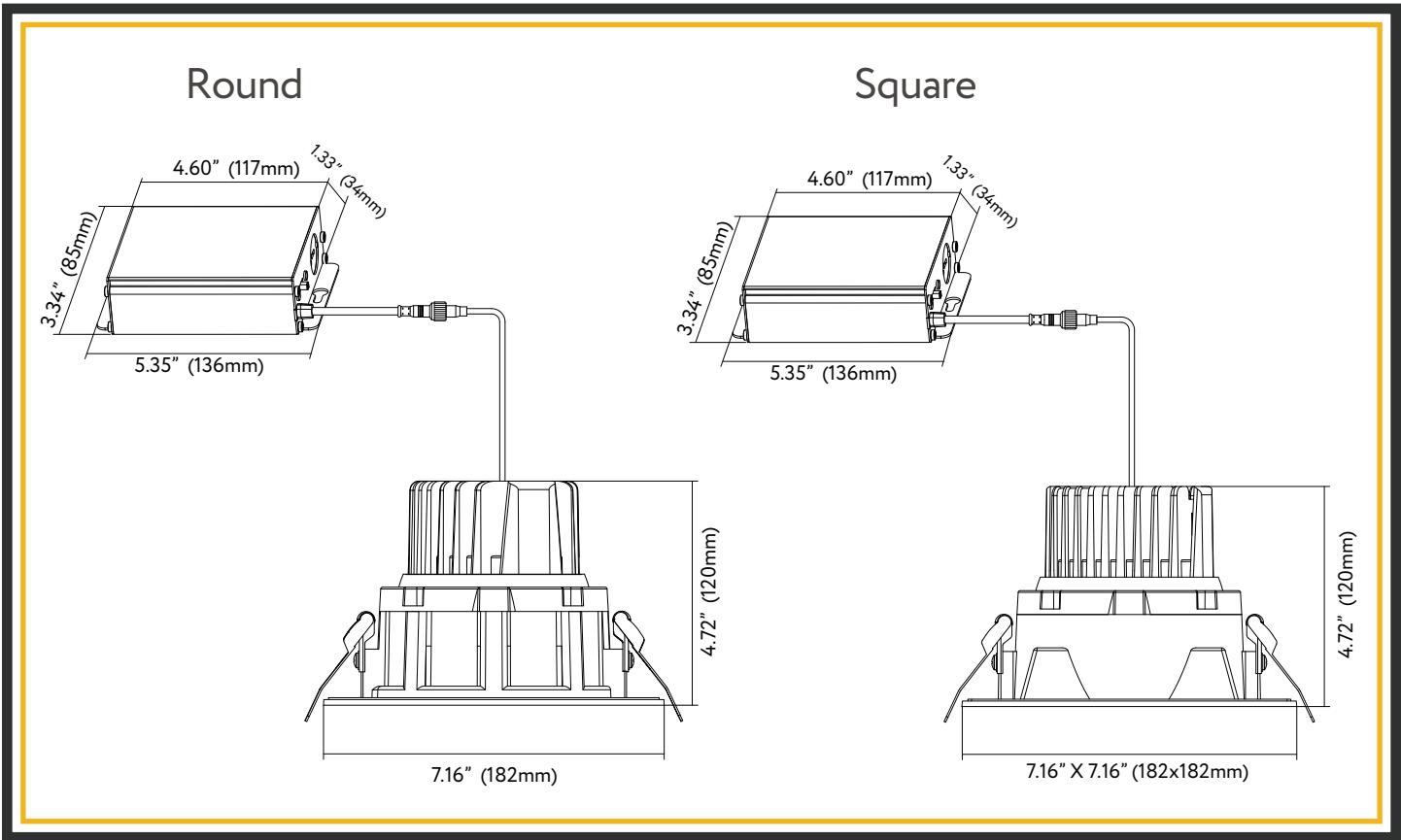


Warranty:  
3 Years



Multi Volts:  
120-277V





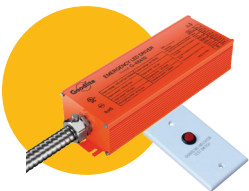
## Dimmer List

BRAND	SERIES	MODEL	LOAD
LUTRON	SKYLARK CONTOUR	LECL-153P	150W
		CTCL-150H	150W
		LGCL-153PLH	150W
		CTCL-153P	150W
		SCL-153P	150W
		S-600P	600W
	CASETA	PD-6WCL	150W
		PD-5NE	150W
		PD-10NXD	250W
	DIVA	DVCL-153P	150W

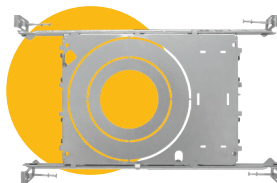
BRAND	SERIES	MODEL	LOAD
LUTRON	TOGLER	TGCL-153P	150W
	ARIADNI	AYCL-153P	150W
	MAESTRO	MACL-153M	600W
LEVITON	ILLUMATECH	IPL06	150W
		6672	150W
	SURESLIDE	6674	150W
EATON	SMART DIMMER	AAL06	300W
PASS & SEYMOUR	HARMONY	DCL453PTCCCV6	150W
GE	ROCKER	10464	150W
	TOGGLE	18027	150W

## Accessories

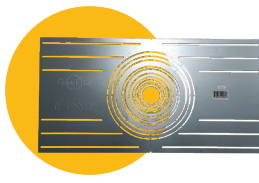
**Emergency LED Driver**  
 15W G-48410 - 30W G-48411  
 60W G-95521



**New Construction Plate**  
 Round G-19969 (2 Punch Out)  
 or G-19982 (6 Punch Out)



Square, G-19982  
 (7 Punch Out)



**Extension Cords**  
 G-20247 5ft - G-20248 10ft

