

Installation Instructions User's Manual

G-97626

Triac / Phase, 0-10V, 1-10V, Potentiometer, 10V PWM 5 in 1 dimming
Electronic Dimmable LED driver 300W



Caution:

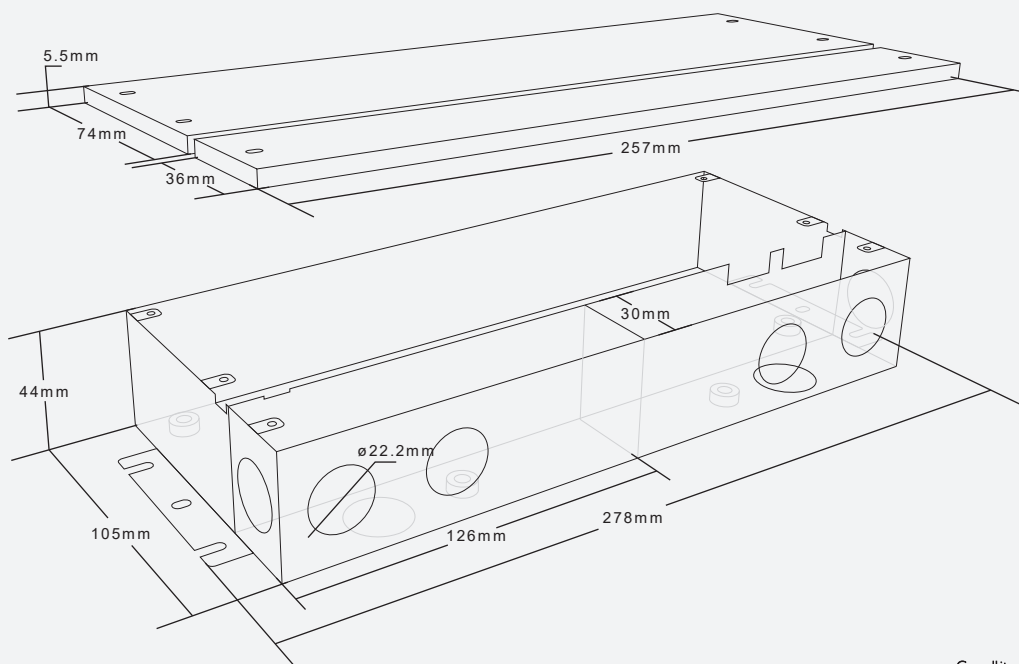
To reduce the risk of fire, electric shock, or injury to persons: Read all instructions before installing system. Installation work and electrical wiring shall be performed only by a qualified electrician in accordance to all applicable codes and standards such as NEC and local building codes, including fire-rated construction!

Warning:

1. For Connection Wires must Rated 90°C or above.
2. Risk of Electric Shock! Please disconnect AC mains before installing.
3. There is none maintenance components inside. DO NOT OPEN the driver enclosure.
4. DO NOT SHORT the dimming control wires to the loading wires.

Quick Specs:

- Constant Voltage Output
- Universal 110-277VAC input for 300W
- Single Circuit
- PWM output 10-100% load
- Variety of dimming options: ELV, MLV, TRIAC, 0-10V, 1-10V, Potentiometer and 10V PWM
- For Dry/Damp/ Wet Location
- Short circuit, overload and over heat protection
- More other specifications see product label or data sheet
- **Dimension: 278*110.0*48.8mm (10.95"x4.33"x1.92")**



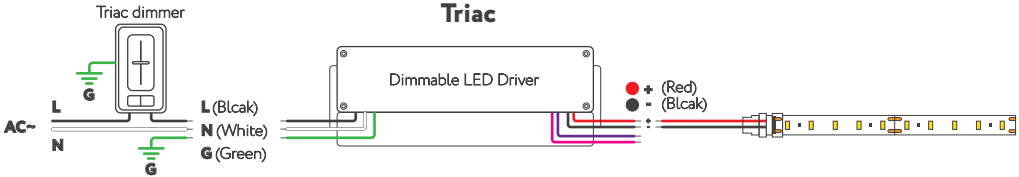
Installing Power Supply



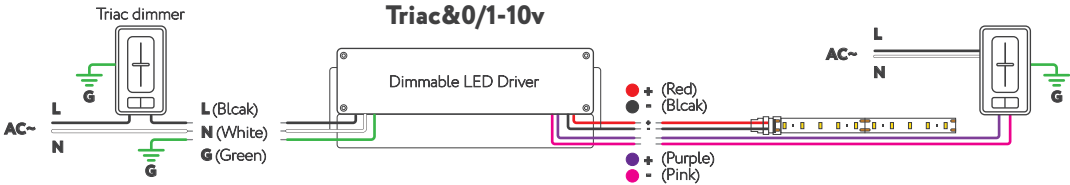
1. Be sure power is turned off before installing or modifying the unit.
2. Do not install LED power supplies in places with high ambient temperature or close to a fire source.
3. This power supply is designed to work on 120V/277VAC line voltage. Use of any other power source will cause damage and will void the warranty.
4. Driver installing:
 - a. Before mounting power supply, remove cover, open the wiring compartment and remove knockouts for input and output. Install strain reliefs (wire clamps). Input lead wires 18AWG and Output lead wires are 14AWG.
 - b. Push the driver on the Fixture Mounting Area, and then fix tightly the screws on mounting holes (see) when installing the LED Driver.
 - c. **Input connection:** Bring Positive (Black) and Negative (White) Power Lines through Strain Relief on the input side of the driver. Connect to Black and White Driver Leads using the correct size and UL approved Wire Nuts. Connect the Ground Wire (Green) to a suitable ground. Waterproof Wire Nuts are recommended.
 - d. **Output Connection:** Bring luminaire wires through the Strain Relief on the output side of the Driver. Connect to the Red (+) and Black (-) Driver Leads. Use the correct size and UL approved Wire Nuts. Make sure all connections are very tight.
 - e. **Grounding:** The LED driver is grounded to the enclosure. The enclosure in turn should be grounded in accordance with NFC and local code. Connect the green Driver wire to the ground.
 - f. **Dimmer connection:** When use 0-10V/1-10V /10V PWM and Potentiometer dimmer, Bring Dimmers wires through the Strain Relief on the output side of the Driver. Connect to Purple cable DIM (+), and Pink cable DIM (-) Driver dimming leads. (Please DO NOT connect "DIM-" to "LED-", "DIM+" to "LED+", or other incorrect connection).
 - g. **Assembly:** replace the cover and screw tightly.
 - h. Please follow the wire range and strip length for each connector type.

Wiring Diagram

Wiring suggestion for Triac Primary Dimming
 The following diagram is for reference only. Your specific dimmer may be wired differently. Please refer to the wiring diagram provided by the manufacture for your dimmer.

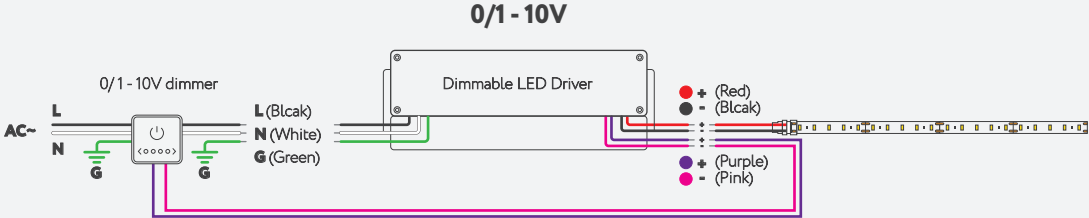


Wiring suggestion for 0-10V/1-10V/10VPWM/Potentiometer secondary dimming
 The following diagram is for reference only. Your specific dimmer may be wired differently. Please refer to the wiring diagram provided by the manufacture for your dimmer.

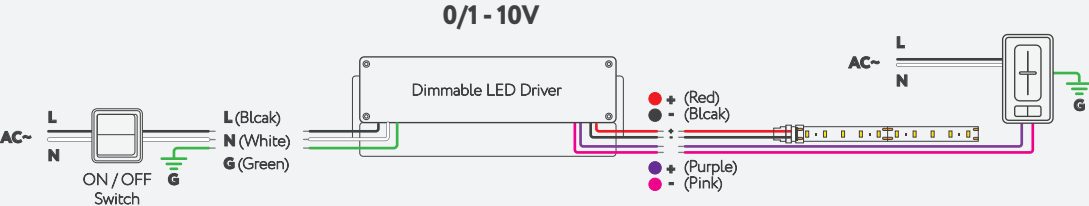


Note: Be sure dimming brightness is at 100% for both dimmers and then operate one dimmer or the other.

Wiring suggestion for Triac Primary Dimming
 The following diagram is for reference only. Your specific dimmer may be wired differently. Please refer to the wiring diagram provided by the manufacture for your dimmer.



Wiring suggestion for 0-10V/1-10V/10VPWM/Potentiometer secondary dimming
 The following diagram is for reference only. Your specific dimmer may be wired differently. Please refer to the wiring diagram provided by the manufacture for your dimmer.



Note: Be sure dimming brightness is at 100% for both dimmers and then operate one dimmer or the other.