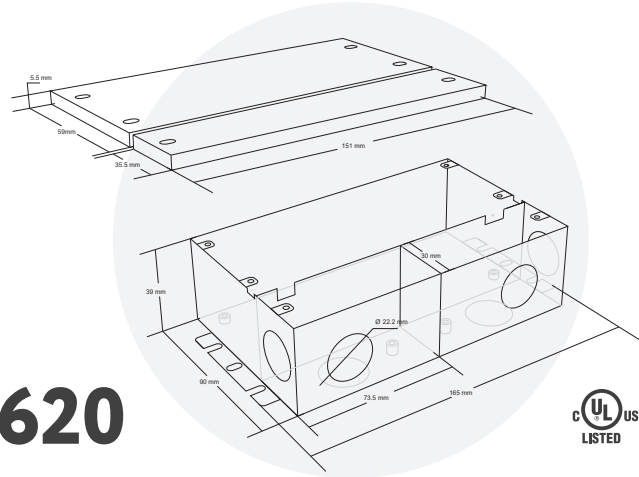


Triac / Phase, 0-10V, 1-10V, Potentiometer, 10V PWM 5 in 1 dimming  
Electronic Dimmable LED driver 30W



# G-97620

<b>OUTPUT</b>	DC VOLTAGE	24V
	VOLTAGE TOLERANCE	±0.5V
	VOLTAGE REGULATION	±0.5%
	RATED CURRENT	1.5A
	RATED POWER	30W
	LOAD REGULATION	±2%
<b>INPUT</b>	VOLTAGE RANGE	100-277 VAC
	FREQUENCY RANGE	47-63 Hz
	POWER FACTOR	0.99@ 120 VAC / 0.95@ 277 VAC
	THD	<20% @120 VAC & 227 VAC
	EFFICIENCY	≥79% @ 120 VAC / ≥80% @ 227 VAC
	AC CURRENT	0.5A @ 100 VAC
	INRUSH CURRENT	7A, 50%, 420us @120 VAC / 12A, 50% 480us @277 VAC
	LEAKAGE CURRENT	<0.5mA
<b>PROTECTION</b>	SHORT CIRCUIT	SHUT DOWN O/P VOLTAGE, RE-POWER ON TO RECOVER AFTER FAULT CONDITION REMOVED
	OVER LOAD	≤120% SHUT DOWN O/P VOLTAGE, RE-POWER ON TO RECOVER AFTER FAULT CONDITION REMOVED
	OVER TEMPERATURE	212° F (100°C) ±50°F (10°C) SHUT DOWN O/P VOLTAGE, AUTOMATICALLY RECOVER AFTER COOLING
<b>ENVIRONMENT</b>	WORKING TEMP	-40~+140°F (-40~60°C) °SEE DERATING CURVE
	WORKING HUMIDITY	20-90%RH, NON-CONDENSING
	STORAGE TEM., HUMIDITY	-40- +176°F (-40~80°C), 10-95%RH
	TEMP COEFFICIENT	±0.03% /°C (0-50°C)
	VIBRATION	10~500HZ, 5G 12 MIN/1 CYCLE, PERIOD FOR 72 MIN EACH ALONG X,Y,Z AXES
<b>SAFETY &amp; EMC</b>	SAFETY STANDARDS	UL8750, CAN/CSA-C22.2 No. 250.13
	WITHSTAND VOLTAGE	I/P - O/P: 1.8 KVAC    I/P - FG: 1.8 KVAC    O/P - FG: 1.8 KVAC
	ISOLATION RESISTANCE	I/P - O/P: 100MΩ/500VDC/25°C/70%RH
	EMC EMISSION	FCC 47 CFR PART 15, SUBPART B
<b>PACK</b>	CASE	20 UNITS