

3.5" Multiple LED Gimbal Downlight Selectable CCT



- SOFT WHITE 2700K
- WARM WHITE 3000K
- NEUTRAL WHITE 3500K
- COOL WHITE 4100K
- SUPER WHITE 5000K



ITEM	G-48440	G-48444	G-48445	G-97129
DESCRIPTION	R3.5/14W/GR/M1/LED/5CCT BK	R3.5/28W/GR/M2/LED/5CCT B	R3.5/42W/GR/M3/LED/5CCT B	R3.5/52W/GR/M4/LED/5CCT BK
COLOR TEMP	27, 30, 35, 41, 50k	27, 30, 35, 41, 50k	27, 30, 35, 41, 50k	27, 30, 35, 41, 50k
TRIM FINISH	BLACK	BLACK	BLACK	BLACK
OUTPUT LUMEN	1400	2200 (1100 each head)	3300 (1100 each head)	4800 (1200 each head)
WATTAGE	14W	28W	42W	52W
EQUIV WATTAGE	125W	225W	325W	375W
CRI	>90	>90	>90	>90
DIMMABLE	Triac or 0-10 Dimming	YES (Triac)	YES (Triac)	Triac or 0-10 Dimming
CUTOUT	SQ 4.00" - RD 5.15"	SQ 3.94" - RD 7.68"	SQ 3.94" - RD 11.42"	SQ 4.00" - RD 15.30"
OD	5.80"	5.85" - 9.60"	5.85" - 13.35"	5.85" - 17.05"
HEIGHT	3.50"	3.55"	3.55"	3.55"
mA	350mA	650mA	1000mA	1250mA
INPUT VOLTS	120-277V	120V	120V	120-227V
OUTPUT VOLTS	38V	36V	36V	36V
WIRE SPACE	10.4 Sq	10.9 Sq	10.9 Sq	10.9 Sq



Dimmable:
5%



Lifetime:
50 000 hours



Warranty:
3 years

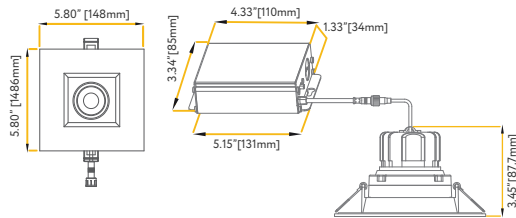


Dimmer List

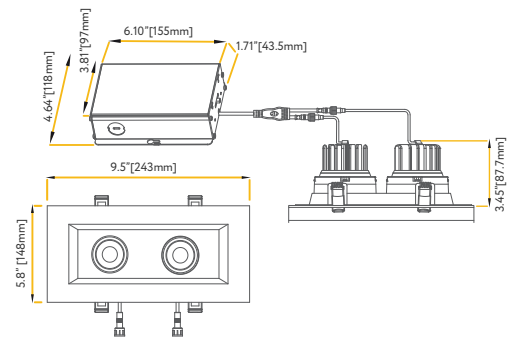
BRAND	SERIES	MODEL	LODAL	BRAND	SERIES	MODEL	LODAL	
LUTRON	SKYLARK CONTOUR	LECL-153P	150W	LUTRON	TOGLER	TGCL-153P	150W	
		CTCL-150H	150W		ARIADNI	AYCL-153P	150W	
		LGCL-153PHLH	150W		MAESTRO	MACL-153M	600W	
		CTCL-153P	150W		ILLUMATECH	IPL06	150W	
		SCL-153P	150W		LEVITON	SURESLIDE	6672	150W
		S-600P	600W			6674	150W	
	CASETA	PD-6WCL	150W		EATON	SMART DIMMER	AAL06	300W
		PD-5NE	150W		PASS & SEYMOUR	HARMONY	DCL453PTCCCV6	150W
		PD-10NXD	250W		GE	ROCKER	10464	150W
DIVA	DVCL-153P	150W		TOGLER	18027	150W		

Diagram

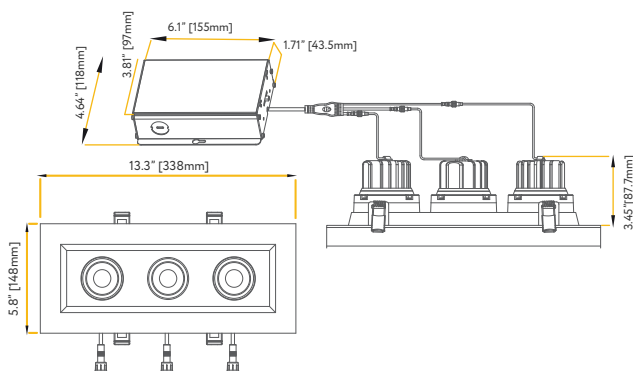
G-48440



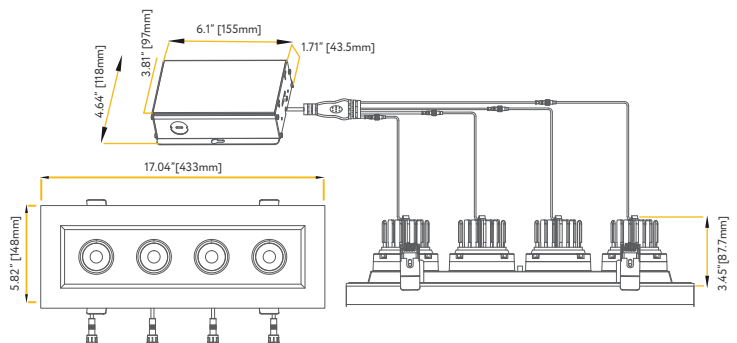
G-48444



G-48445



G-97129



Accessories

Emergency LED Driver

- 15W G-48410
- 60W G-95521
- 30W G-48411
- 25W G-95525



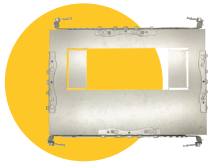
Extension Cords

- G-20247 5ft
- G-20248 10ft



New Construction Plate

- G-48440 Use Item G-19981 / 3 Punch Outs
- G-48444 Use Item G-48448 / 0 Punch Outs
- G-48445 Use Item G-48448 / 1 Punch Outs
- G-97129 Use Item G-48449 / 2 Punch Outs



120-277V Drivers (0-10 Dimming)

- G-48444 Need to Use G-48446
- G-48445 Need to Use G-48447

