

## 6" LED REGRESS GIMBAL LUMINAIRE SELECTABLE CCT



| ITEM           | G-20093               | G-20094               | G-20095               | G-20096               |
|----------------|-----------------------|-----------------------|-----------------------|-----------------------|
| DESCRIPTION    | R6/22W/GRR/LED/5CCT   | R6/22W/GSR/LED/5CCT   | R6/22W/GRR/LED/5CCT B | R6/22W/GSR/LED/5CCT B |
| COLOR TEMP     | 27, 30, 35, 41, 50k   | 27, 30, 35, 41, 50k   | 27, 30, 35, 41, 50k   | 27, 30, 35, 41, 50k   |
| OUTPUT LUMEN   | 2200                  | 2200                  | 2200                  | 2200                  |
| TRIM FINISH    | WHITE                 | WHITE                 | BLACK                 | BLACK                 |
| INPUT VOLTS    | 120-277V              | 120-277V              | 120-277V              | 120-277V              |
| WATTAGE        | 22W                   | 22W                   | 22W                   | 22W                   |
| EQUIV. WATTAGE | 225W                  | 225W                  | 225W                  | 225W                  |
| CRI            | >90                   | >90                   | >90                   | >90                   |
| DIMMABLE       | Triac Or 0-10 Dimming | Triac Or 0-10 Dimming | Triac Or 0-10 Dimming | Triac Or 0-10 Dimming |
| OD             | 7.15                  | 7.15                  | 7.15                  | 7.15                  |
| HEIGHT         | 5.00                  | 5.00                  | 5.00                  | 5.00                  |
| CUTOUT         | 6.00                  | Sq 6" Rd 6.80         | 6.00                  | Sq 6" Rd 6.80         |
| mA             | 500                   | 500                   | 500                   | 500                   |
| OUTPUT VOLTS   | 33-38V                | 33-38V                | 33-38V                | 33-38V                |

Dimmable: 5%  
Triac Or 0-10

Lifetime:  
50,000 hours

Warranty:  
3 Years

Multi Volts:  
120-277V

SELECTABLE  
CCT  
TEMPERATURE

CRI 90+  
TRUE  
COLORS

IC  
RATED

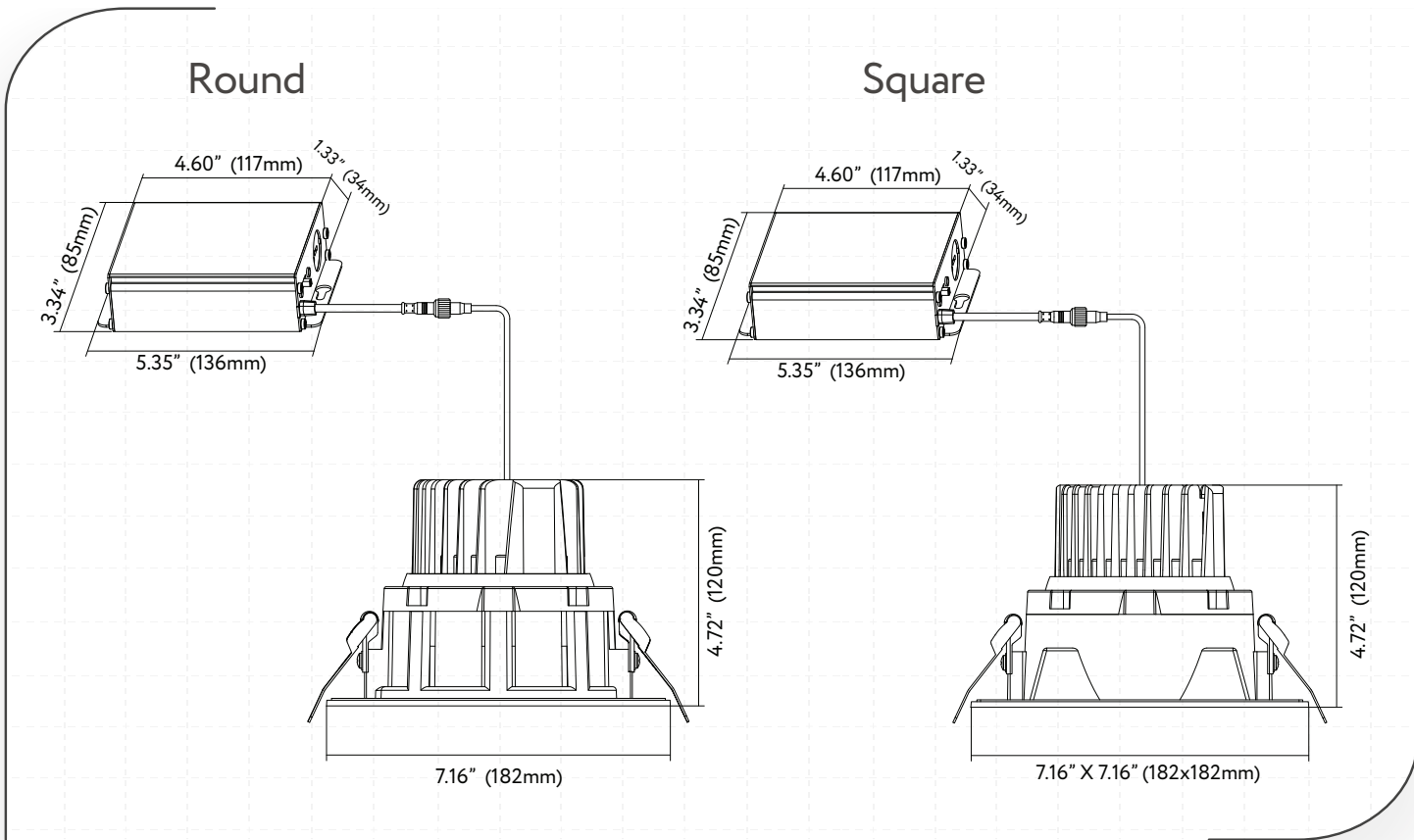
30° TILT  
ANGLE

WET  
LOCATION

AIR  
TIGHT

BEAM  
ANGLE  
60°

ETL  
US



## Dimmer List

| BRAND  | SERIES          | MODEL       | LOAD |
|--------|-----------------|-------------|------|
| LUTRON | SKYLARK CONTOUR | LECL-153P   | 150W |
|        |                 | CTCL-150H   | 150W |
|        |                 | LGCL-153PLH | 150W |
|        |                 | CTCL-153P   | 150W |
|        |                 | SCL-153P    | 150W |
|        |                 | S-600P      | 600W |
|        | CASETA          | PD-6WCL     | 150W |
|        |                 | PD-5NE      | 150W |
|        |                 | PD-10NXD    | 250W |
|        | DIVA            | DVCL-153P   | 150W |

| BRAND          | SERIES       | MODEL         | LOAD |
|----------------|--------------|---------------|------|
| LUTRON         | TOGLER       | TGCL-153P     | 150W |
|                | ARIADNI      | AYCL-153P     | 150W |
|                | MAESTRO      | MACL-153M     | 600W |
| LEVITON        | ILLUMATECH   | IPL06         | 150W |
|                | SURESLIDE    | 6672          | 150W |
|                |              | 6674          | 150W |
| EATON          | SMART DIMMER | AAL06         | 300W |
| PASS & SEYMOUR | HARMONY      | DCL453PTCCCV6 | 150W |
| GE             | ROCKER       | 10464         | 150W |
|                | TOGGLE       | 18027         | 150W |

## Accessories

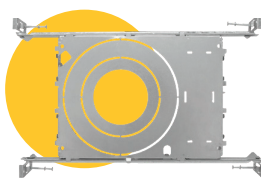
### Emergency LED Driver

15W G-48410    30W G-48411  
25W G-95525    60W G-95521

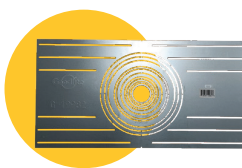


### New Construction Plate

Round G-19969 (2 Punch Out)  
or G-19982 (6 Punch Out)

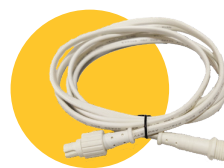


Square, G-19982  
(7 Punch Out)



### Extension Cords

G-20247 5ft - G-20248 10ft



### Multi Driver Converter

Use with G-95826 22W

