

PURA 3.5" ROUND LED GIMBAL DOWNLITE

G-98720



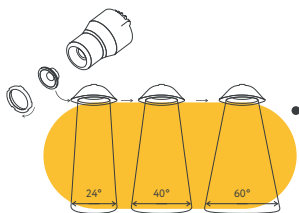
G-98725



Pack:18

ITEM	G-98720			ITEM	G-98725		
DESCRIPTION	PR3.5/20W/WS2/RD/5CCT	mA	480/320mA	DESCRIPTION	PR3.5/20W/WS2/RD/BL/5CCT	mA	480/320mA
COLOR TEMP	27, 30, 35, 41, 50k	OUTPUT VOLTS	33-38V	COLOR TEMP	27, 30, 35, 41, 50k	OUTPUT VOLTS	33-38V
TRIM FINISH	WHITE	IC RATED	Only at 14W	TRIM FINISH	BLACK	IC RATED	Only at 14W
OUTPUT LUMEN	1850/1400	DIMMABLE	Triac or 0-10V	OUTPUT LUMEN	1850/1400	DIMMABLE	Triac or 0-10V
BEAM ANGLE	40° (Default)	CUTOUT	3.50"	BEAM ANGLE	40° (Default)	CUTOUT	3.50"
INPUT VOLTS	120-277	OD	4.40"	INPUT VOLTS	120-277	OD	4.40"
WATTAGE	20/14W	HEIGHT	3.78"	WATTAGE	20/14W	HEIGHT	3.78"
CRI	90>	WIRE SPACE	12 Cubic inch	CRI	90>	WIRE SPACE	12 Cubic inch

Lens options



Interchangeable
Beam Angle



Pack: 100

ITEM	G-98825	G-98826	G-98827
DESCRIPTION	PR/L/24-DEGREE	PR/L/40-DEGREE	PR/L/60-DEGREE



Wattage Selectable
14W 20W



Interchangeable
lens



Dimmable:
Down to 5%



Lifetime:
50,000 hours



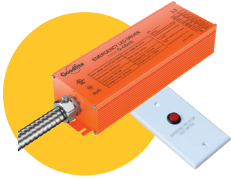
Warranty:
3 years

P. 1



Accessories

Emergency LED Driver



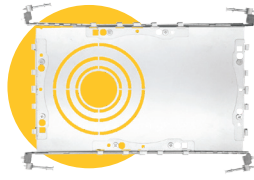
15W G-48410

60W G-95521

30W G-48411

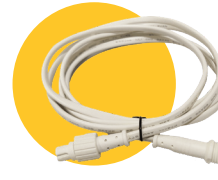
25W G-95525

New Construction Plate



G-19981 2 Punch Out

Extension Cords



G-20247 5ft - G-20248 10ft

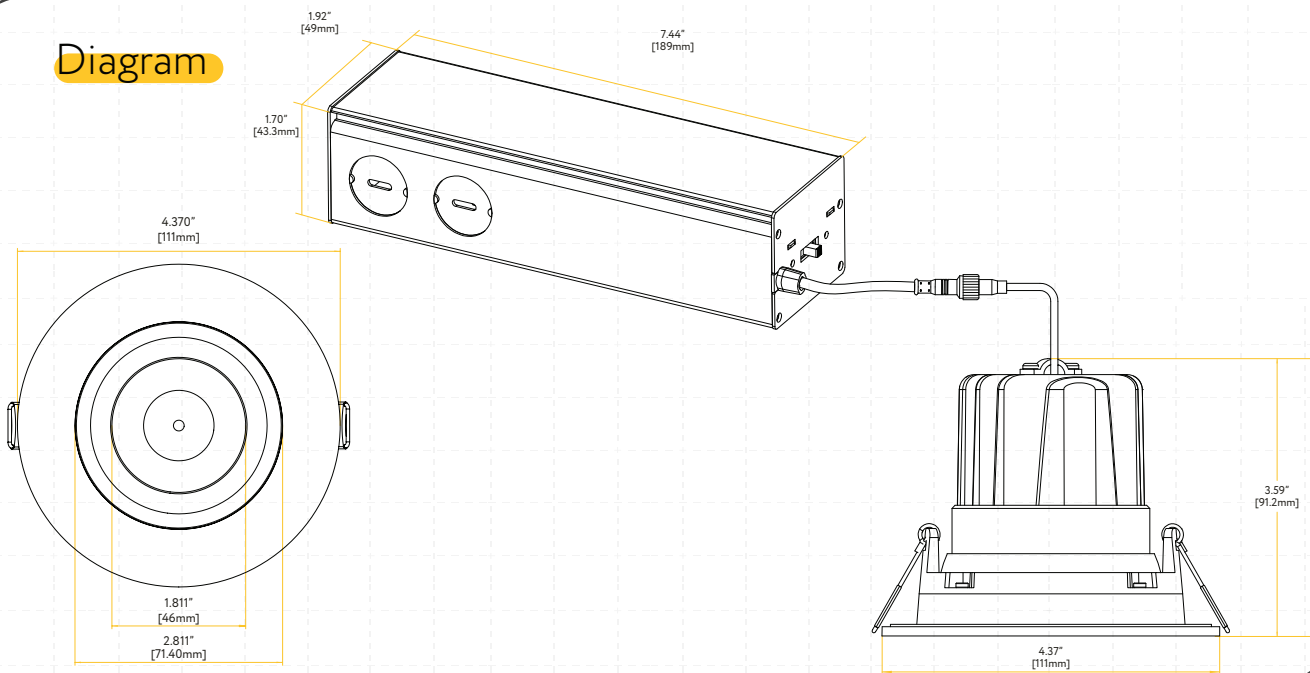
Multi Driver Converter



G-95825 14W

G-95826 20W

Diagram



Dimmer List

BRAND	SERIES	MODEL	LOAD
LUTRON	SKYLARK CONTOUR	LECL-153P	150W
		CTCL-150H	150W
		LGCL-153PLH	150W
		CTCL-153P	150W
		SCL-153P	150W
		S-600P	600W
	CASETA	PD-6WCL	150W
		PD-5NE	150W
		PD-10NXD	250W
		DIVA	DVCL-153P

BRAND	SERIES	MODEL	LOAD
LUTRON	TOGLER	TGCL-153P	150W
	ARIADNI	AYCL-153P	150W
	MAESTRO	MACL-153M	600W
LEVITON	ILLUMATECH	IPL06	150W
	SURESLIDE	6672	150W
		6674	150W
EATON	SMART DIMMER	AAL06	300W
PASS & SEYMOUR	HARMONY	DCL453PTCCCV6	150W
GE	ROCKER	10464	150W
	TOGGLE	18027	150W