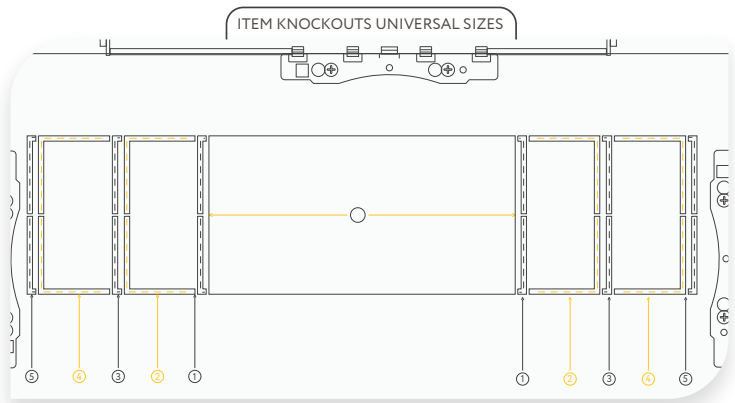
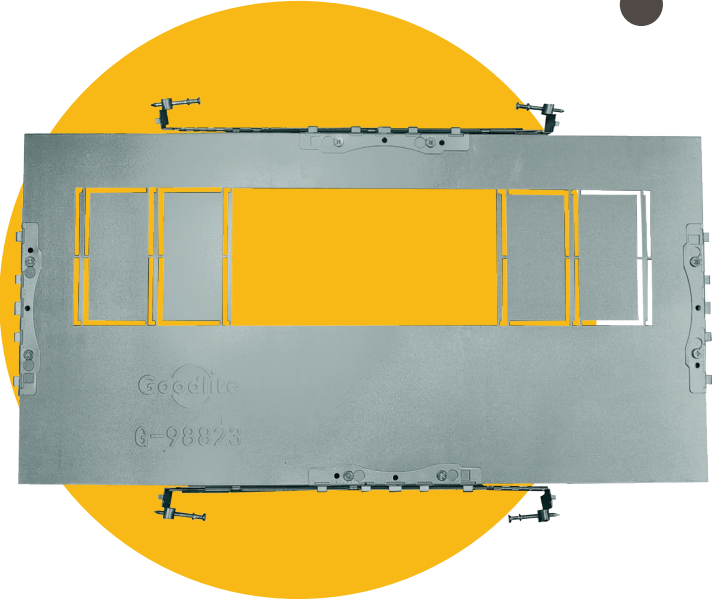


New Construction Plate

● **G-98823**



Punch Out	0	1	2	3	4	5
Dimension	9.05" x 4.68"	9.72" x 4.68"	14.05" x 4.68"	14.76" x 4.68"	19.13" x 4.68"	19.80" x 4.68"

Diagram

