

# ASTER 1" INTERCHANGEABLE MODULE



- **SOFT WHITE** 2700K
- **COOL WHITE** 4100K
- **WARM WHITE** 3000K
- **SUPER WHITE** 5000K
- **NEUTRAL WHITE** 3500K

<b>ITEM</b>	<b>G-48470</b>		
<b>DESCRIPTION</b>	M1/7W/LED/5CCT		
<b>COLOR TEMPERATURE</b>	27, 30, 35, 41, 50K	<b>EQUIV. WATTS</b>	50W
<b>OUTPUT LUMEN</b>	600	<b>CRI</b>	>90
<b>BEAM ANGLE</b>	40°	<b>DIMMABLE</b>	Yes
<b>WATTAGE</b>	7W	<b>PACK</b>	18
<b>INPUT VOLTS</b>	120V	<b>mA</b>	150mA

## Lens options



<b>ITEM</b>	<b>G-10940</b>	<b>G-10941</b>
<b>DESCRIPTION</b>	L1/24-DEGREE	L1/40-DEGREE



<b>ITEM</b>	<b>G-10939</b>
<b>DESCRIPTION</b>	L1/FROSTED/80°

Dimmable:  
5%

Lifetime:  
50,000 hours

Warranty:  
3 years

Interchangeable  
lens



# ASTER 1" HO INTERCHANGEABLE MODULE



- **SOFT WHITE** 2700K
- **COOL WHITE** 4100K
- **WARM WHITE** 3000K
- **SUPER WHITE** 5000K
- **NEUTRAL WHITE** 3500K

ITEM	G-48468		
DESCRIPTION	M1/15W/LED/5CCT	IC-RATED	NO
COLOR TEMPERATURE	27, 30, 35, 41, 50K	EQUIV. WATTS	120W
OUTPUT LUMEN	1100	CRI	>90
BEAM ANGLE	60°	DIMMABLE	Triac Or 0-10V
WATTAGE	15W	PACK	18
INPUT VOLTS	120-277V	mA	350mA

## Lens options



ITEM	G-10940	G-10941
DESCRIPTION	L1/40-DEGREE	L1/60-DEGREE



ITEM	G-10939
DESCRIPTION	L1/FROSTED/80°

Dimmable:  
Down to 5%

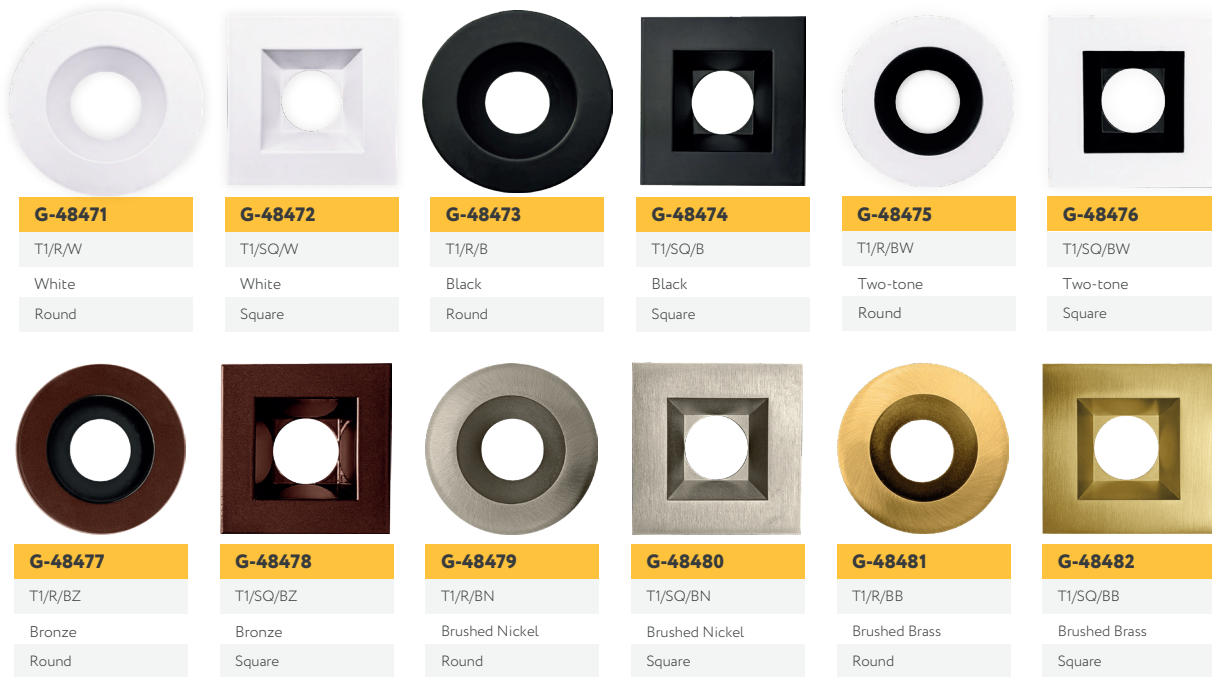
Lifetime:  
50,000 hours

Warranty:  
3 years

Interchangeable  
lens



Trims



 Pack: 8/128

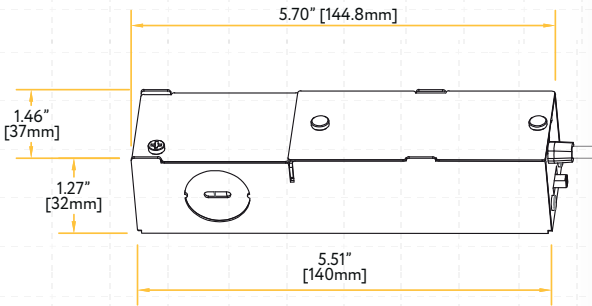
Trimless **NEW**



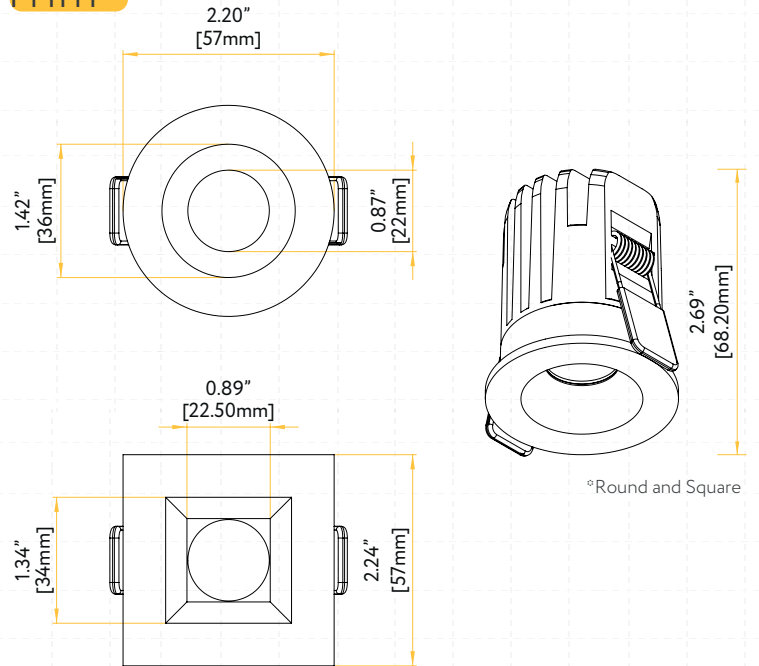
 Pack: 36

STYLE	CUT OUT	OD	HEIGHT	PLATE
TRIMMED	1.90"	2.25"	Regular 2.25" / HO 4.47"	G-19981
TRIMLESS ROUND	2.30"	3.94"	Regular 2.84" / HO 4.60"	G-19969
TRIMLESS SQUARE	Sq 2.72" Rd 3.82"	5.51"	Regular 3.23" / HO 5.15"	G-19969 1 Punch Out

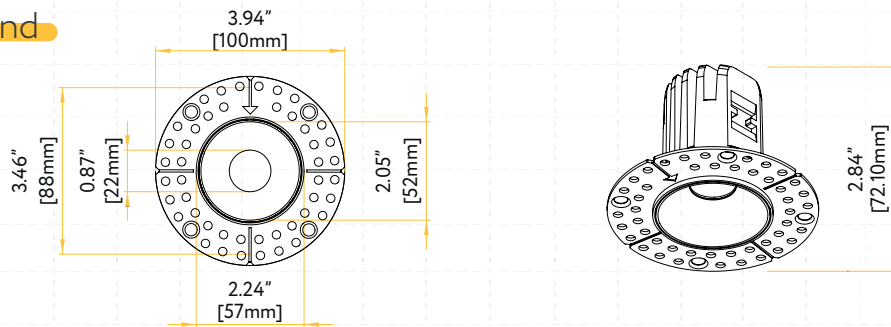
### Driver



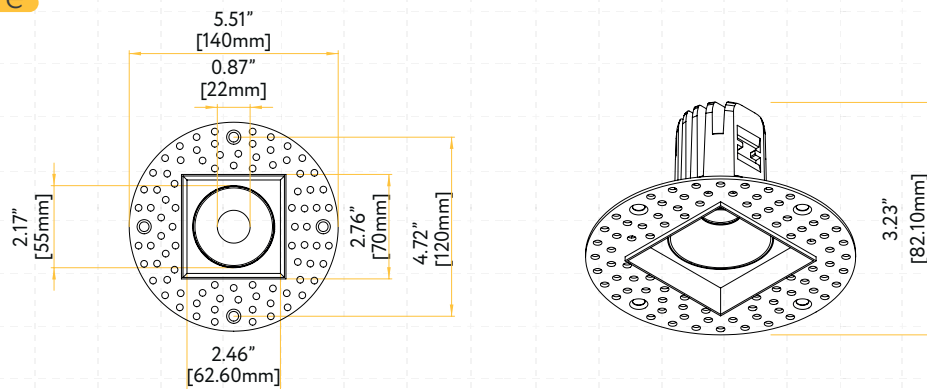
### Trim



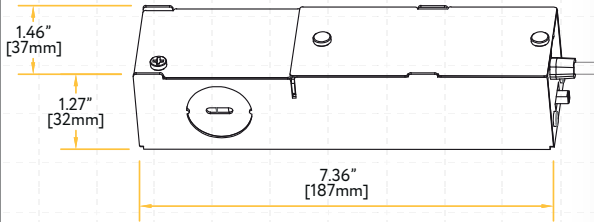
### Trimless Round



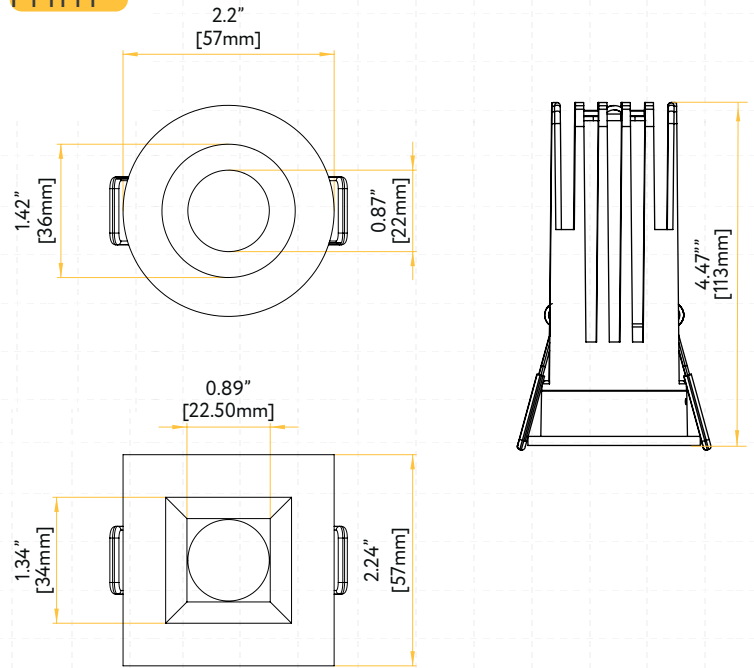
### Trimless Square



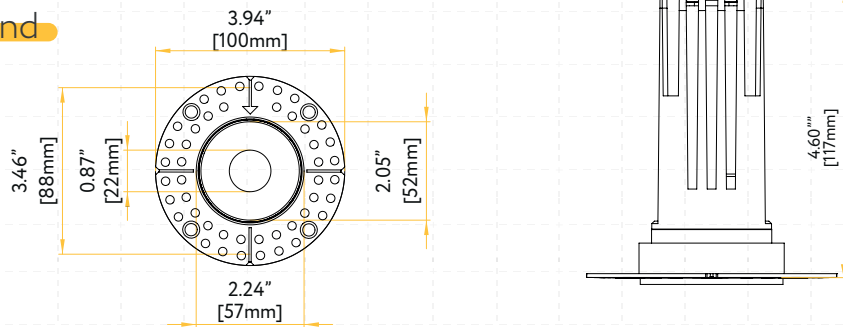
### Driver



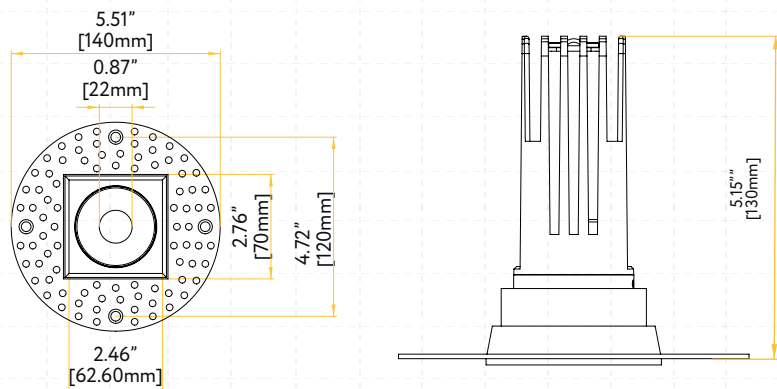
### Trim



### Trimless Round



### Trimless Square



## Dimmer List:

BRAND	SERIES	MODEL	LOAD	BRAND	SERIES	MODEL	LOAD
LUTRON	SKYLARK CONTOUR	LECL-153P	150W	LUTRON	TOGLER	TGCL-153P	150W
		CTCL-150H	150W		ARIADNI	AYCL-153P	150W
		LGCL-153PLH	150W		MAESTRO	MACL-153M	600W
		CTCL-153P	150W	LEVITON	ILLUMATECH	IPL06	150W
		SCL-153P	150W		SURESLIDE	6672	150W
		S-600P	600W		6674	150W	
	CASETA	PD-6WCL	150W		EATON	SMART DIMMER	AAL06
		PD-5NE	150W	PASS & SEYMOUR	HARMONY	DCL453PTCCCV6	150W
		PD-10NXD	250W	GE	ROCKER	10464	150W
		DIVA	DVCL-153P		150W	TOGGLE	18027

## Accessories



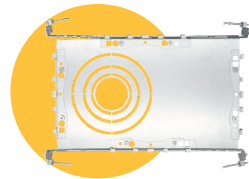
**Emergency LED Driver**

15W G-48410

60W G-95521

30W G-48411

25W G-95525



**New Construction Plate**

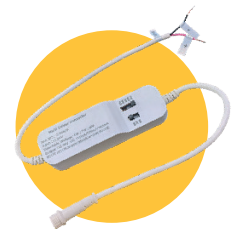
See page 2 for details



**Extension Cords**

G-20247 5ft

G-20248 10ft



**Multi Driver Converter**

G-48470 use G-95823 7W

G-48468 use G-95825 14W