

JUPITER 3" ROUND UNIVERSAL CYLINDER



G-05020



G-05021

ITEM	G-05020		
DESCRIPTION	CYD/3/20W/R/LED/5CCT-WH	WATTAGE	20W
COLOR TEMP	27,30,35,41,50K	CRI	90>
OUTPUT LUMEN	1800	IC RATED	Yes
BEAM ANGLE	40° (default) Included	DIMMABLE	Triac or 0-10V
INPUT VOLTS	120/277V	PACKED	18

ITEM	G-05021		
DESCRIPTION	CYD/3/20W/R/LED/5CCT-BK	WATTAGE	20W
COLOR TEMP	27,30,35,41,50K	CRI	90>
OUTPUT LUMEN	1800	IC RATED	Yes
BEAM ANGLE	40° (default) Included	DIMMABLE	Triac or 0-10V
INPUT VOLTS	120/277V	PACKED	18

Additional lens options



ITEM	G-05820
DESCRIPTION	CYD/L3/FROSTED/50°



ITEM	G-05821	G-05822
DESCRIPTION	CYD/L3/24-DEGREE	CYD/L3/40-DEGREE

Honey Comb



ITEM	G-21440
DESCRIPTION	HEX/HC/DIFFUSER

Lens Covers

G-21427



SOLITE LENS

G-21428



PRISMETAC LENS

G-21429



BEAMSPLIT LENS

Dimmable:
Down to 5%

Warranty:
3 years

Lifetime:
50,000 hours

Interchangeable
lens



Mounting Options



G-05228
4" J-BOX MUD PLATE
36 PACKED

G-05229
RECESSED MOUNT JUNCTION BOX
36 PACKED
CUT OUT 2.36

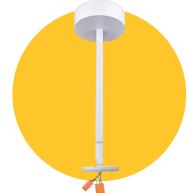


G-05320
SURFACE MOUNT
WHITE
18 PACKED

G-05321
60" ADJUSTABLE CORD - SURFACE MOUNT
WHITE
INCLUDES AN OPTIONAL 200 LUMEN UP-LIGHT
18 PACKED



G-05322
60" ADJUSTABLE CORD - RECESSED MOUNT
WHITE
INCLUDES AN OPTIONAL 200 LUMEN UP-LIGHT
18 PACKED
CUT OUT 2.36



G-05323
4 X 12" STEM - SURFACE MOUNT
WHITE
18 PACKED



G-05420
SURFACE MOUNT
BLACK
18 PACKED

G-05421
60" ADJUSTABLE CORD - SURFACE MOUNT
BLACK
INCLUDES AN OPTIONAL 200 LUMEN UP-LIGHT
18 PACKED



G-05422
60" ADJUSTABLE CORD - RECESSED MOUNT
BLACK
INCLUDES AN OPTIONAL 200 LUMEN UP-LIGHT
18 PACKED
CUT OUT 2.36

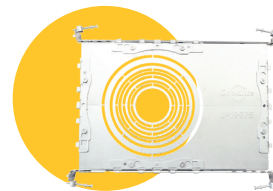


G-05423
4 X 12" STEM - SURFACE MOUNT
BLACK
18 PACKED

Accessories



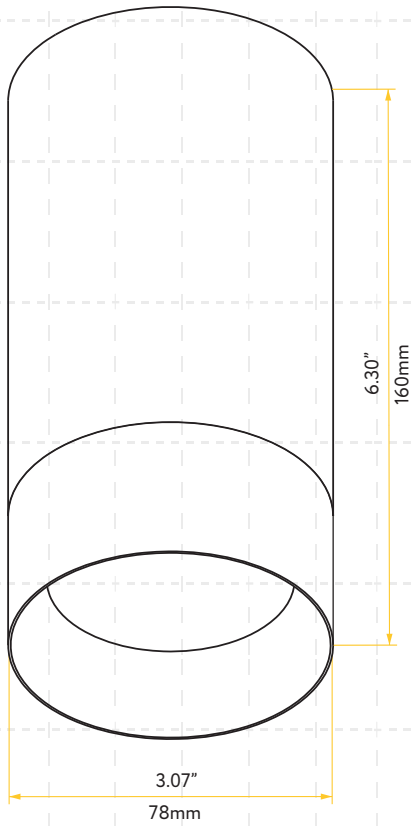
EMERGENCY LED DRIVER
30W G-48411
60W G-95521
25W G-95525



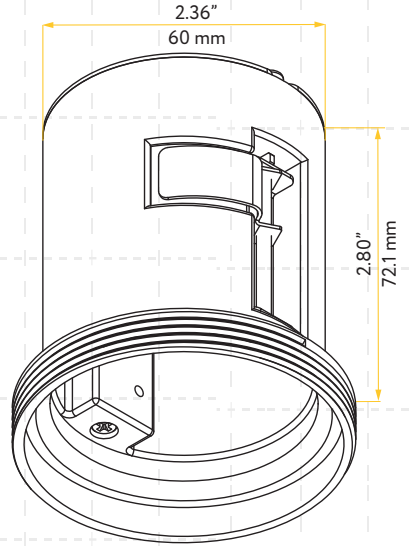
ITEM	DESCRIPTION
NEW CONSTRUCTION PLATE	RECESSED MOUNT INSTALATION USE ITEM G-19975 /1 PUNCH OUTS

Diagrams

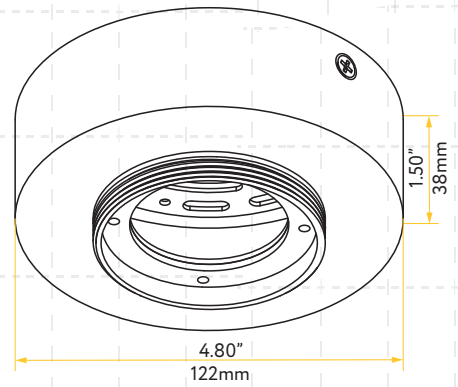
Cylinder



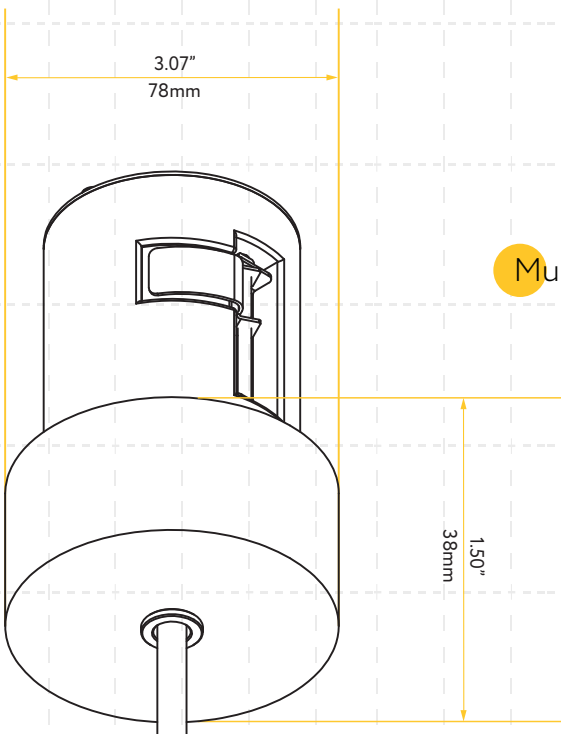
Recessed Mount



Surface Mount



Cord Recessed Mount



Mud Plate

