

ROUND LED

REGRESS SLIM SELECTABLE CCT



ITEM	G-48508 2"				
DESCRIPTION	RS2/8W/R/LED/5CCT	EQUIV. WATTAGE	50W	HEIGHT	2.39"
COLOR TEMP	27, 30, 35, 41, 50k	CRI	90>	CUT OUT	2.08"
OUTPUT LUMEN	500	mA	170mA	PLATE	G-19981
BEAM ANGLE	100°	OUTPUT VOLTS	33-38V DC	PACK	18
INPUT VOLTS	120V	DIMMABLE	Yes		
WATTAGE	8W	OD	2.55"		

ITEM	G-48337 3"				
DESCRIPTION	RS3/10W/R/LED/5CCT	EQUIV. WATTAGE	80W	HEIGHT	1.97"
COLOR TEMP	27, 30, 35, 41, 50k	CRI	90>	CUT OUT	2.91"
OUTPUT LUMEN	750	mA	230mA	PLATE	G-19969
BEAM ANGLE	100°	OUTPUT VOLTS	38V DC	PACK	18
INPUT VOLTS	120-277V	DIMMABLE	Yes		
WATTAGE	10W	OD	3.70"		

Content

- Round Led Regress Slim _____ 1
- Accessories _____ 2
- Trim Replacement Covers _____ 3
- Dimensions _____ 3
- Dimmer List _____ 4

Dimmable:
5%

Lifetime:
50,000 hours

Warranty:
3 years

CRI 90+
TRUE COLORS

IC RATED

BEAM ANGLE
100°

WET LOCATION

AIR TIGHT

ETL US

ITEM	G-20241 4"				
DESCRIPTION	RS4/15W/R/LED/5CCT	EQUIV. WATTAGE	120W	HEIGHT	2.15"
COLOR TEMP	27, 30, 35, 41, 50k	CRI	90>	CUT OUT	4.25"
OUTPUT LUMEN	1400	mA	350mA	PLATE	G-19969 1 Punch Out
BEAM ANGLE	100°	OUTPUT VOLTS	38V	PACK	18
INPUT VOLTS	120-277V	DIMMABLE	Triac or 0-10V		
WATTAGE	15W	OD	4.92"		

ITEM	G-20242 5"				
DESCRIPTION	RS5/23W/R/LED/5CCT	EQUIV. WATTAGE	200W	HEIGHT	1.97"
COLOR TEMP	27, 30, 35, 41, 50k	CRI	90>	CUT OUT	5.20"
OUTPUT LUMEN	1800	mA	540mA	PLATE	G-19981 3 Punch Out
BEAM ANGLE	100°	OUTPUT VOLTS	38V	PACK	18
INPUT VOLTS	120V	DIMMABLE	Yes		
WATTAGE	23W	OD	5.94"		

ITEM	G-20243 6"				
DESCRIPTION	RS6/28W/R/LED/5CCT	EQUIV. WATTAGE	300W	HEIGHT	2.40"
COLOR TEMP	27, 30, 35, 41, 50k	CRI	90>	CUT OUT	6.29"
OUTPUT LUMEN	2700/1750/950	mA	750mA	PLATE	G-19969 2 Punch Out
BEAM ANGLE	100°	OUTPUT VOLTS	38V	PACK	18
INPUT VOLTS	120-277V	DIMMABLE	Triac or 0-10V		
WATTAGE	28/18/10W	OD	7.10"		

Accessories



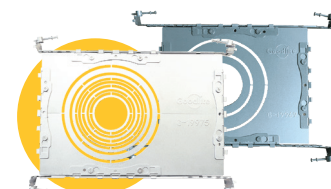
Emergency LED Driver

- 15W G-48410
- 60W G-95521
- 30W G-48411
- 25W G-95525



Extension Cords

- G-20247 5ft
- G-19822 20ft
- G-20248 10ft
- G-19823 30ft



New Construction Plate

See the items in the tables for details



Multi Driver Converter

- For G-48508 use G-95823 8W
- For G-20241- use G-95825 14W
- For G-48337 use G-95824 10W
- For G-20242- use G-95826 22W
- For G-20243- use G-95824 10W /G-95825 18W

Trim Replacement Covers

Black



G-22020 2"

T/RL/2/R/CV/BK

G-22030 3"

T/RL/3/R/CV/BK

G-48460 4"

T/RL/4/R/CV/BK

G-22050 5"

T/RL/5/R/CV/BK

G-22060 6"

T/RL/6/R/CV/BK

Bronze



G-22021 2"

T/RL/2/R/CV/BZ

G-22031 3"

T/RL/3/R/CV/BZ

G-22041 4"

T/RL/4/R/CV/BZ

G-22051 5"

T/RL/5/R/CV/BZ

G-22061 6"

T/RL/6/R/CV/BZ

Brushed Nickel



G-22022 2"

T/RL/2/R/CV/BN

G-22032 3"

T/RL/3/R/CV/BN

G-22042 4"

T/RL/4/R/CV/BN

G-22052 5"

T/RL/5/R/CV/BN

G-22062 6"

T/RL/6/R/CV/BN

Brushed Brass



G-22023 2"

T/RL/2/R/CV/BB

G-22033 3"

T/RL/3/R/CV/BB

G-22043 4"

T/RL/4/R/CV/BB

G-22053 5"

T/RL/5/R/CV/BB

G-22063 6"

T/RL/6/R/CV/BB

Brushed Copper



G-22024 2"

T/RL/2/R/CV/BC

G-22034 3"

T/RL/3/R/CV/BC

G-22044 4"

T/RL/4/R/CV/BC

G-22054 5"

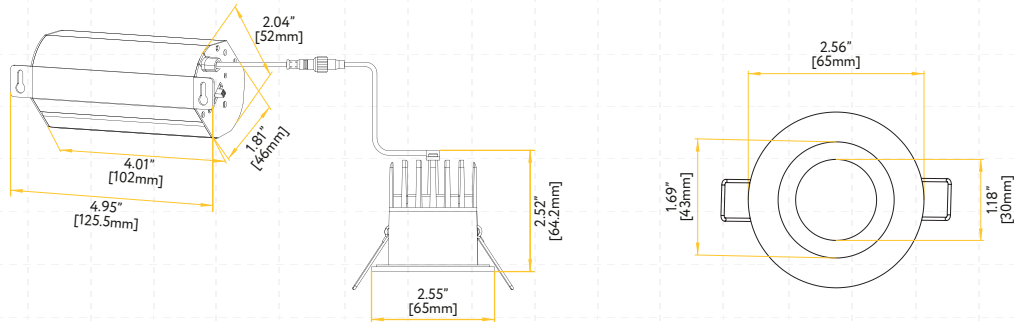
T/RL/5/R/CV/BC

G-22064 6"

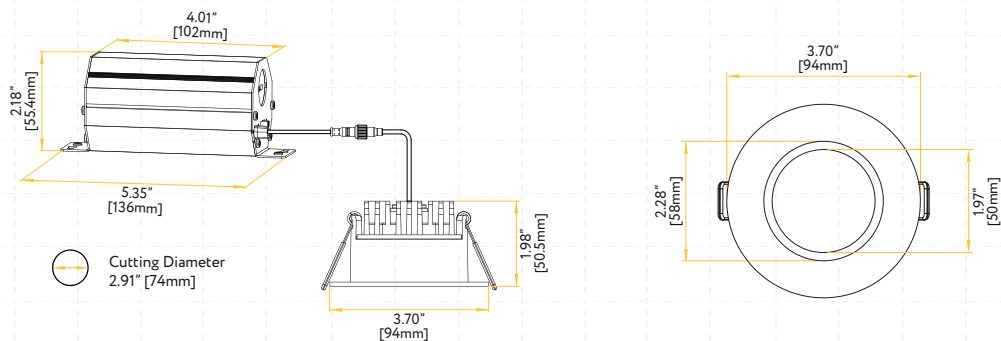
T/RL/6/R/CV/BC

Dimensions

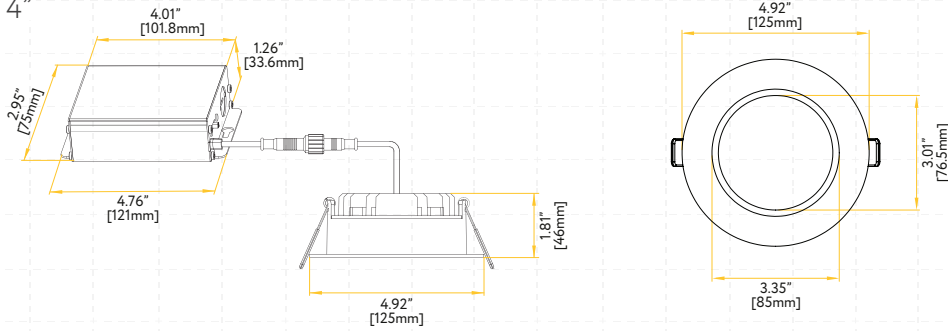
G-48508 2"



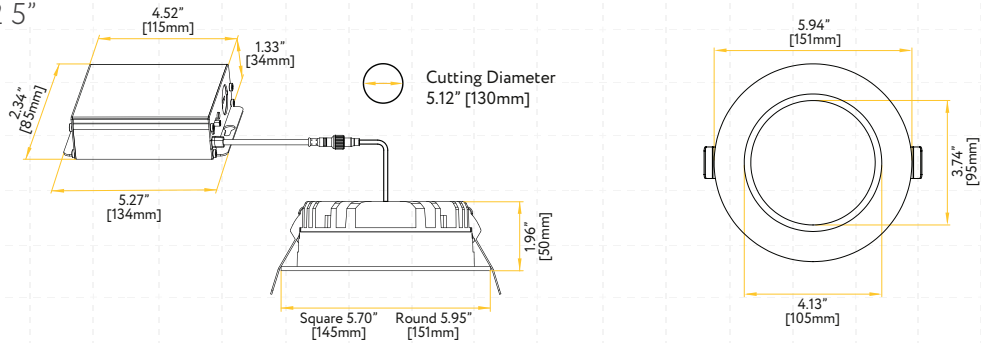
G-48337 3"



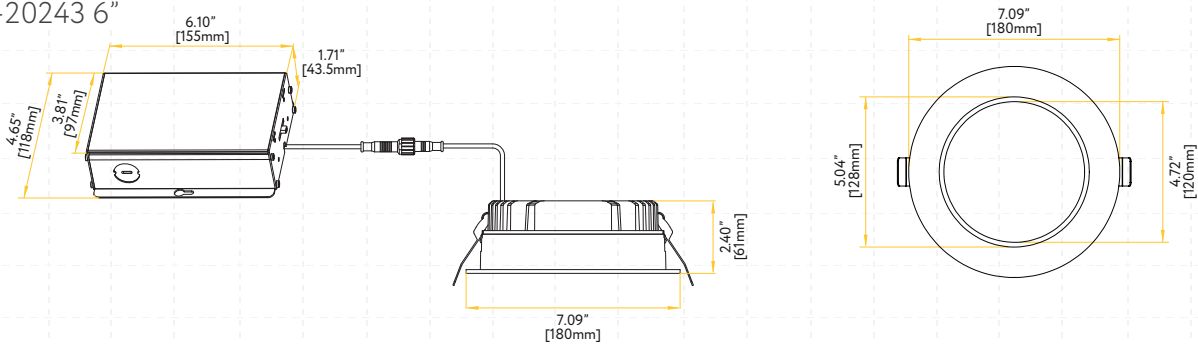
G-20241 4"



G-20242 5"



G-20243 6"



Dimmer List

BRAND	SERIES	MODEL	LOAD	BRAND	SERIES	MODEL	LOAD		
LUTRON	SKYLARK CONTOUR	LECL-153P	150W	LUTRON	TOGLER	TGCL-153P	150W		
		CTCL-150H	150W		ARIADNI	AYCL-153P	150W		
		LGCL-153PLH	150W		MAESTRO	MACL-153M	600W		
		CTCL-153P	150W		LEVITON	ILLUMATECH	IPL06	150W	
		SCL-153P	150W			SURESLIDE	6672	150W	
	CASETA	S-600P	600W	6674	150W	EATON	SMART DIMMER	AAL06	300W
		PD-6WCL	150W	PASS & SEYMOUR	HARMONY		DCL453PTCCCV6	150W	
		PD-5NE	150W		ROCKER	10464	150W		
		PD-10NXD	250W		GE	TOGGLE	18027	150W	
		DIVA	DVCL-153P	150W					