

# ASTER 1” INTERCHANGEABLE MODULE



ITEM	G-48470		
DESCRIPTION	M1/7W/LED/5CCT	CRI	>90
COLOR TEMP	27, 30, 35, 41, 50K	mA	150mA
OUTPUT LUMEN	600	EQUIV. WATTS	50W
BEAM ANGLE	40°	IC RATED	Yes
WATTAGE	7W	DIMMABLE	Yes
INPUT VOLTS	120V	PACKED	18

ITEM	G-48468		
DESCRIPTION	M1/15W/LED/5CCT	CRI	>90
COLOR TEMP	27, 30, 35, 41, 50K	mA	350mA
OUTPUT LUMEN	1100	EQUIV. WATTS	120W
BEAM ANGLE	60°	IC RATED	No
WATTAGE	15W	DIMMABLE	Triac Or 0-10V
INPUT VOLTS	120-277V	PACKED	18



- SOFT WHITE 2700K
- COOL WHITE 4100K
- WARM WHITE 3000K
- SUPER WHITE 5000K
- NEUTRAL WHITE 3500K

## Content

- Aster 1” Interchangeable Module \_\_\_\_\_ 1
- Lens Options \_\_\_\_\_ 2
- Accessories \_\_\_\_\_ 2
- Driver Box \_\_\_\_\_ 2
- Trims \_\_\_\_\_ 3
- Trimless \_\_\_\_\_ 4
- Millwork Trimless \_\_\_\_\_ 5
- Dimmer List \_\_\_\_\_ 5

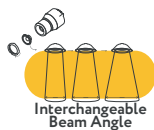
Interchangeable lens

Dimmable: 5%

Lifetime: 50,000 hours

Warranty: 3 years

## Lens Options



### Clear Lens for 48470

G-10940



L1/24-DEGREE

G-10941



L1/40-DEGREE

### Clear Lens for 48468

G-10940



L1/40-DEGREE

G-10941



L1/60-DEGREE

### Lens Covers

G-10942



1/5OLITE LENS

G-10943



1/PRISMETAC LENS

G-10938



1/BEAMSPLIT LENS

### Frosted Lens

G-10939



L1/FROSTED/80°

### Diffuser

G-21751



1/HEX/HC/DIFFUSER

STYLE	PACK
LENS OPTIONS	100

## Accessories



Emergency LED Driver

15W G-48410

60W G-95521

30W G-48411

25W G-95525



Extension Cords

G-20247 5ft

G-20248 10ft

G-19822 20ft

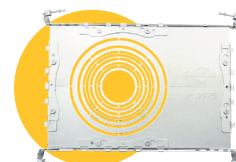
G-19823 30ft



Multi Driver Converter

G-48470 use G-95823 7W

G-48468 use G-95825 14W

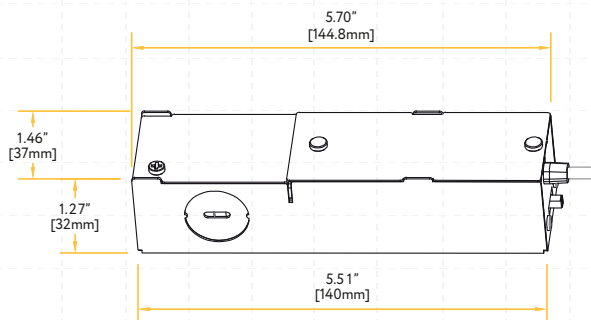


Construction Plate

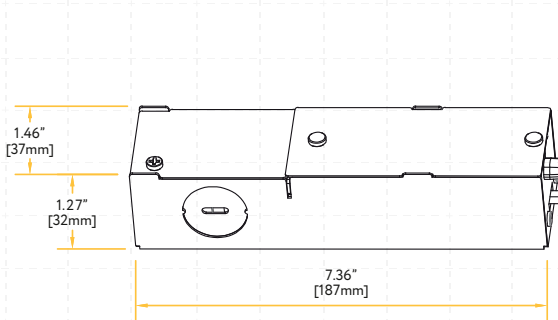
G-19975

## Driver Box

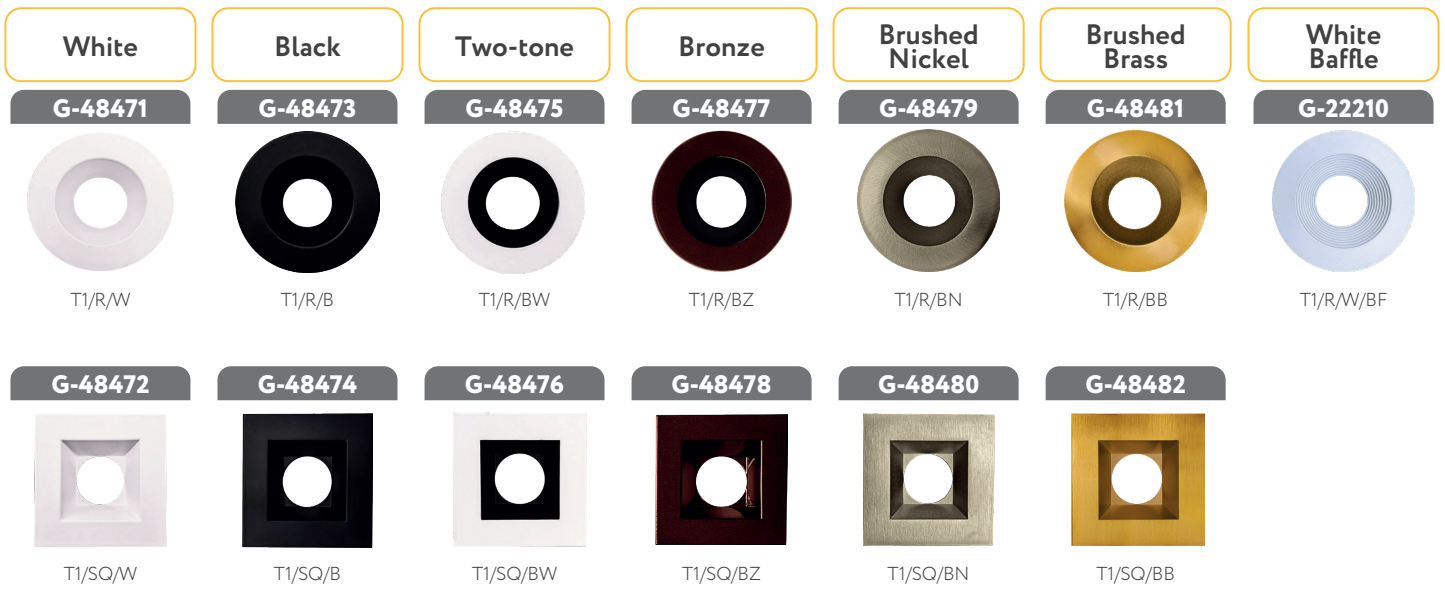
G-48470



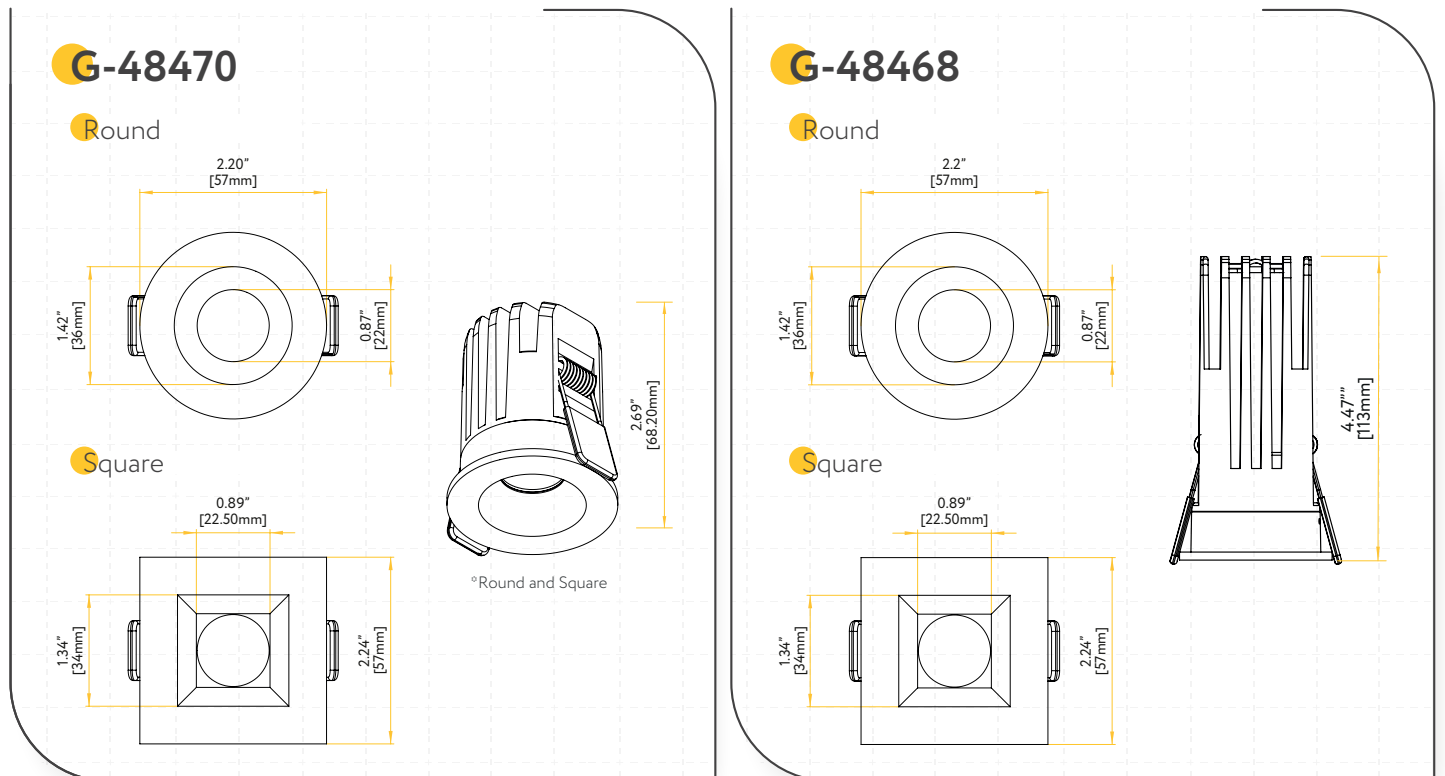
G-48468



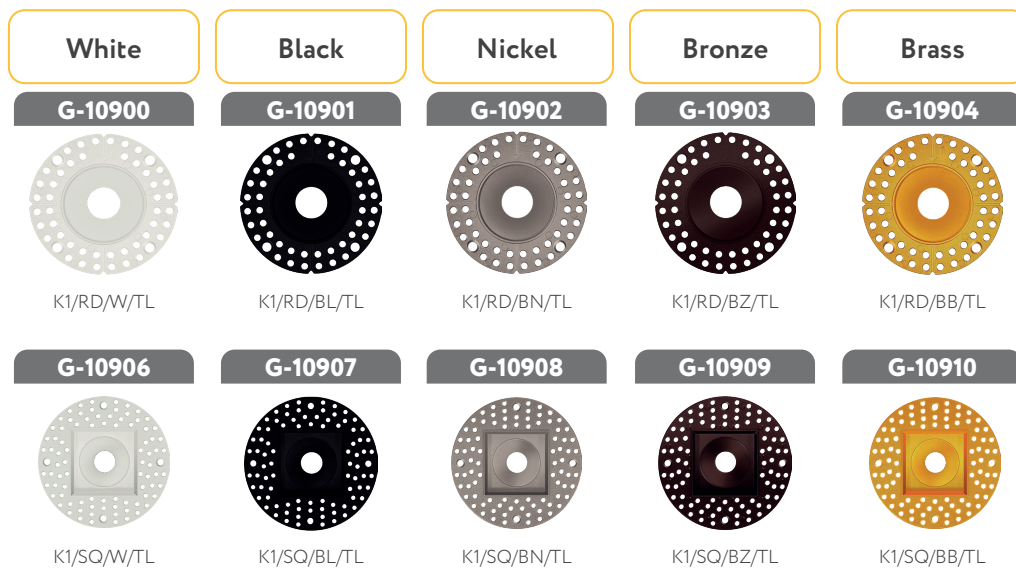
# Trims Options



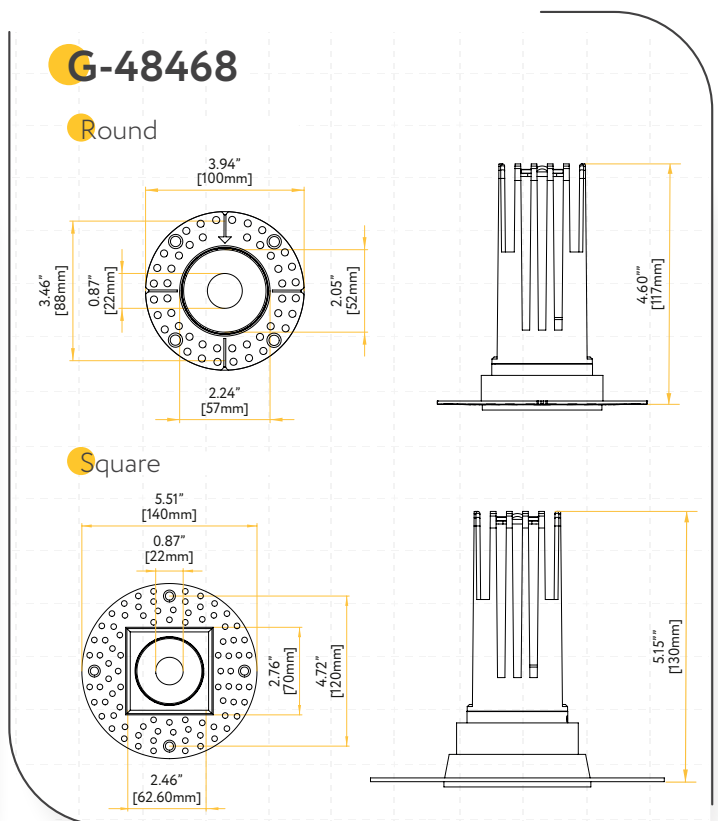
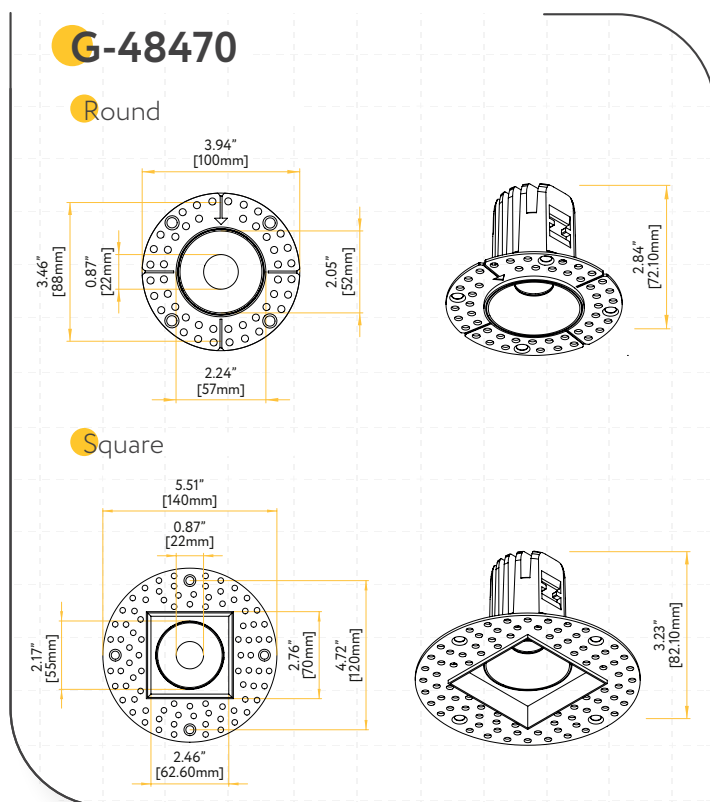
STYLE	CUT OUT	OD	HEIGHT	PLATE	PACK
TRIMMED	1.90"	2.25"	W/G-48470 2.72" / W/G-48468 4.47"	G-19975	8/128



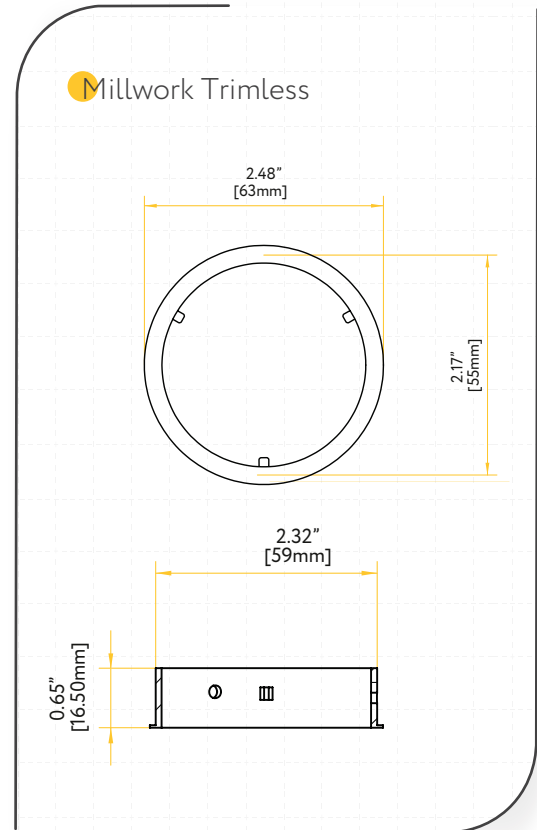
# Trimless Options



STYLE	CUT OUT	OD	HEIGHT	PLATE	PACK
TRIMLESS ROUND	2.30"	3.94"	W/G-48470 2.84" / W/G-48468 4.60"	G-19975 1 Punch Out	36
TRIMLESS SQUARE	Sq 2.72" / Rd 3.82"	5.51"	W/G-48470 3.23" / W/G-48468 5.15"	G-19975 4 Punch Out	36



## Millwork Trimless



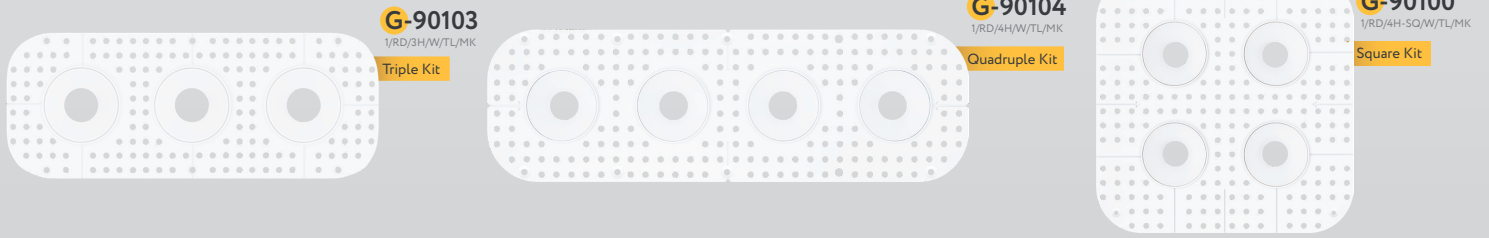
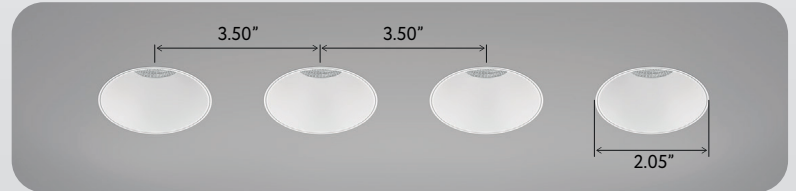
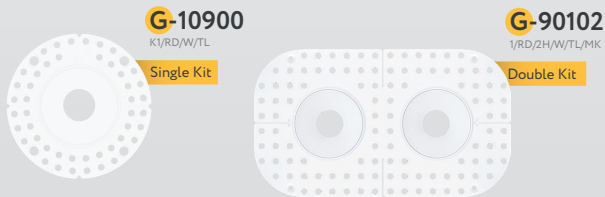
STYLE	CUT OUT	OD	HEIGHT
MILLWORK TRIMLESS	2.32"	2.48"	W/G-48470 2.84" / W/G-48468 4.60"

## Dimmer List

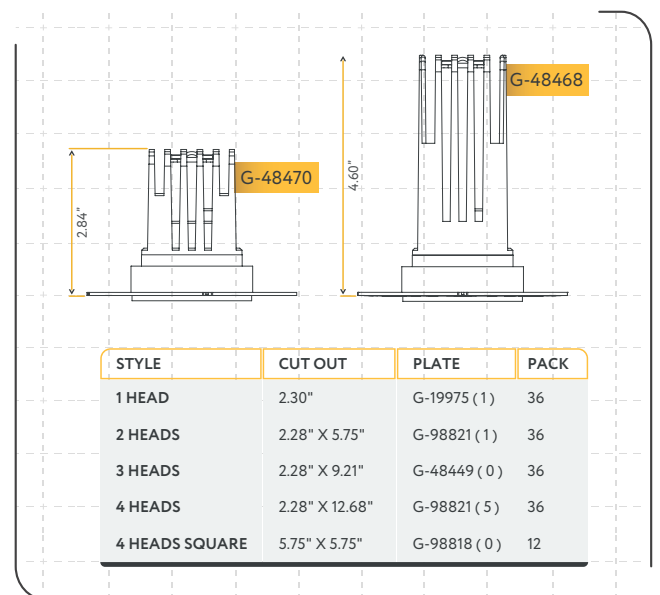
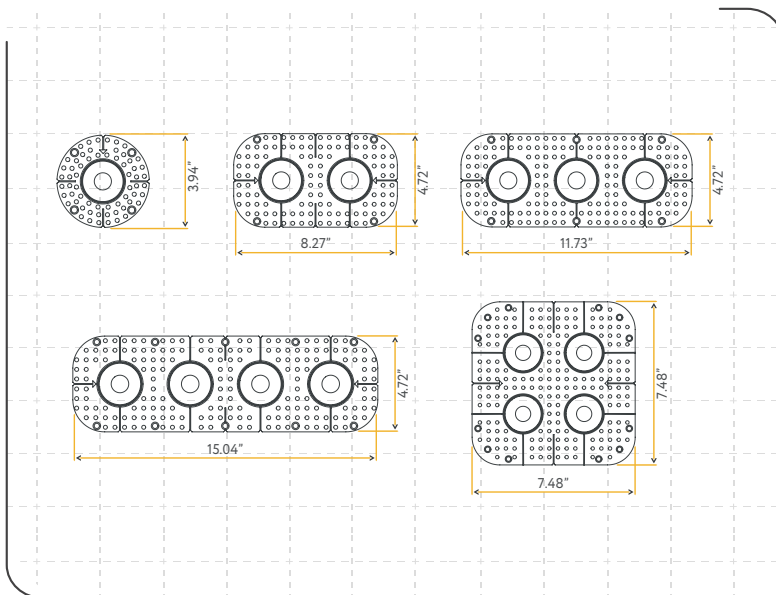
BRAND	SERIES	MODEL	LOAD	BRAND	SERIES	MODEL	LOAD
LUTRON	SKYLARK CONTOUR	LECL-153P	150W	LUTRON	TOGGLER	TGCL-153P	150W
		CTCL-150H	150W		ARIADNI	AYCL-153P	150W
		LGCL-153PLH	150W		MAESTRO	MACL-153M	600W
		CTCL-153P	150W	LEVITON	ILLUMATECH	IPL06	150W
		SCL-153P	150W		SURESLIDE	6672	150W
		S-600P	600W	6674	150W		
	CASETA	PD-6WCL	150W	EATON	SMART DIMMER	AAL06	300W
		PD-5NE	150W	PASS & SEYMOUR	HARMONY	DCL453PTCCCV6	150W
		PD-10NXD	250W	GE	ROCKER	10464	150W
	DIVA	DVCL-153P	150W		TOGGLE	18027	150W

# 1" MULTI HEAD INTERCHANGEABLE TRIMLESS KITS

## ROUND OPTIONS

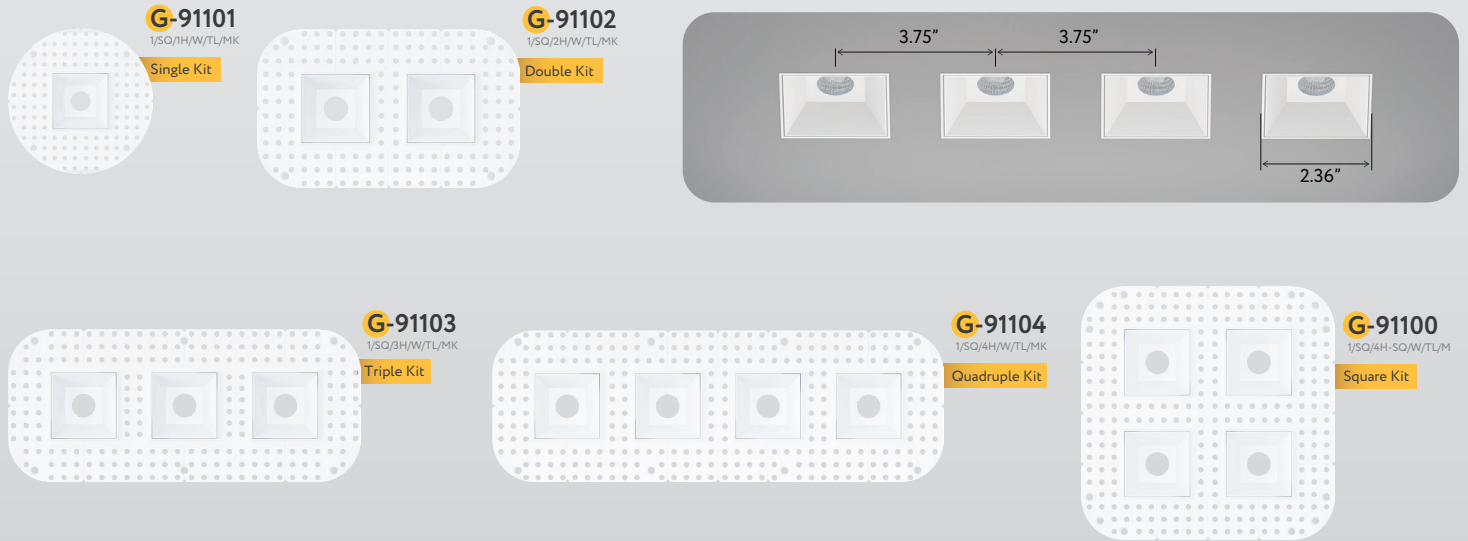


## Dimensions



STYLE	CUT OUT	PLATE	PACK
1 HEAD	2.30"	G-19975 (1)	36
2 HEADS	2.28" X 5.75"	G-98821 (1)	36
3 HEADS	2.28" X 9.21"	G-48449 (0)	36
4 HEADS	2.28" X 12.68"	G-98821 (5)	36
4 HEADS SQUARE	5.75" X 5.75"	G-98818 (0)	12

## SQUARE OPTIONS



## Dimensions

