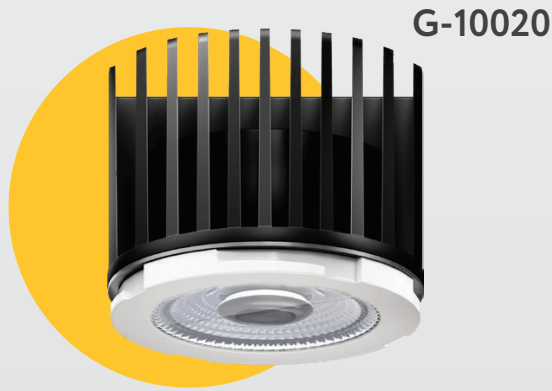


# ASTER 4" INTERCHANGEABLE MODULE



ITEM	G-10020		
DESCRIPTION	M4/15W/WS2/LED/5CCT	mA	350/210mA
COLOR TEMP	27, 30, 35, 41, 50k	OUTPUT VOLTS	33-38V
OUTPUT LUMEN	1550/950	IC RATED	Yes
BEAM ANGLE	40° Clear (Default)	PLENUM RATED	FT6
INPUT VOLTS	120-277	DIMMABLE	Triac or 0-10V
WATTAGE	15/9W	PACKED	12
CRI	90>		

ITEM	G-10025		
DESCRIPTION	M4/32W/WS2/LED/5CCT	mA	765/495mA
COLOR TEMP	27, 30, 35, 41, 50k	OUTPUT VOLTS	33-38V
OUTPUT LUMEN	3000/2000	IC RATED	Only at 20W
BEAM ANGLE	60° Clear (Default)	PLENUM RATED	FT6
INPUT VOLTS	120-277	DIMMABLE	Triac or 0-10V
WATTAGE	32/20W	PACKED	6
CRI	90>		

## Content

- Aster 4" Interchangeable Module \_\_\_\_\_ 1
- Lens Options \_\_\_\_\_ 2
- Accessories \_\_\_\_\_ 2
- Trims \_\_\_\_\_ 3
- Trimless \_\_\_\_\_ 4
- Wall Wash \_\_\_\_\_ 5
- Driver Box \_\_\_\_\_ 5
- Millwork Trimless \_\_\_\_\_ 6
- Dimmer List \_\_\_\_\_ 6

Interchangeable lens

Dimmable: Down to 5%

Lifetime: 50,000 hours

Warranty: 3 years

CRI 90+ TRUE COLORS

WET LOCATION

AIR TIGHT

JA8 TITLE 24

ETL US

FC

## Lens Options



### Clear Lens

G-11022



L4/24-DEGREE

G-11023



L4/40-DEGREE

G-11024



L4/60-DEGREE

### Frosted Lens

G-11020



L4/FROSTED/80°

### Lens Covers

G-21427



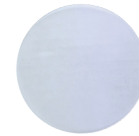
4/SOLITE LENS

G-21428



4/PRISMATIC LENS

G-21429



4/BEAMSPLIT LENS

### Reflector Lens

Compatible with G-10020

G-11025



L4/REFLECTOR/30°

G-11026



L4/REFLECTOR/60°

G-11027



L4/REFLECTOR/30°

G-11028



L4/REFLECTOR/60°

### Diffuser

G-21440



4/HEX/HC/DIFFUSER

STYLE	PACK
LENS OPTIONS	100

## Accessories



### Emergency LED Driver

15W G-48410

60W G-95521

30W G-48411

25W G-95525



### Multi Driver Converter

G-10020 use G-95824 9W / G-95825 14W

G-10025 use G-95826 20W



### Extension Cords

G-20247 5ft

G-20248 10ft

G-19822 20ft

G-19823 30ft



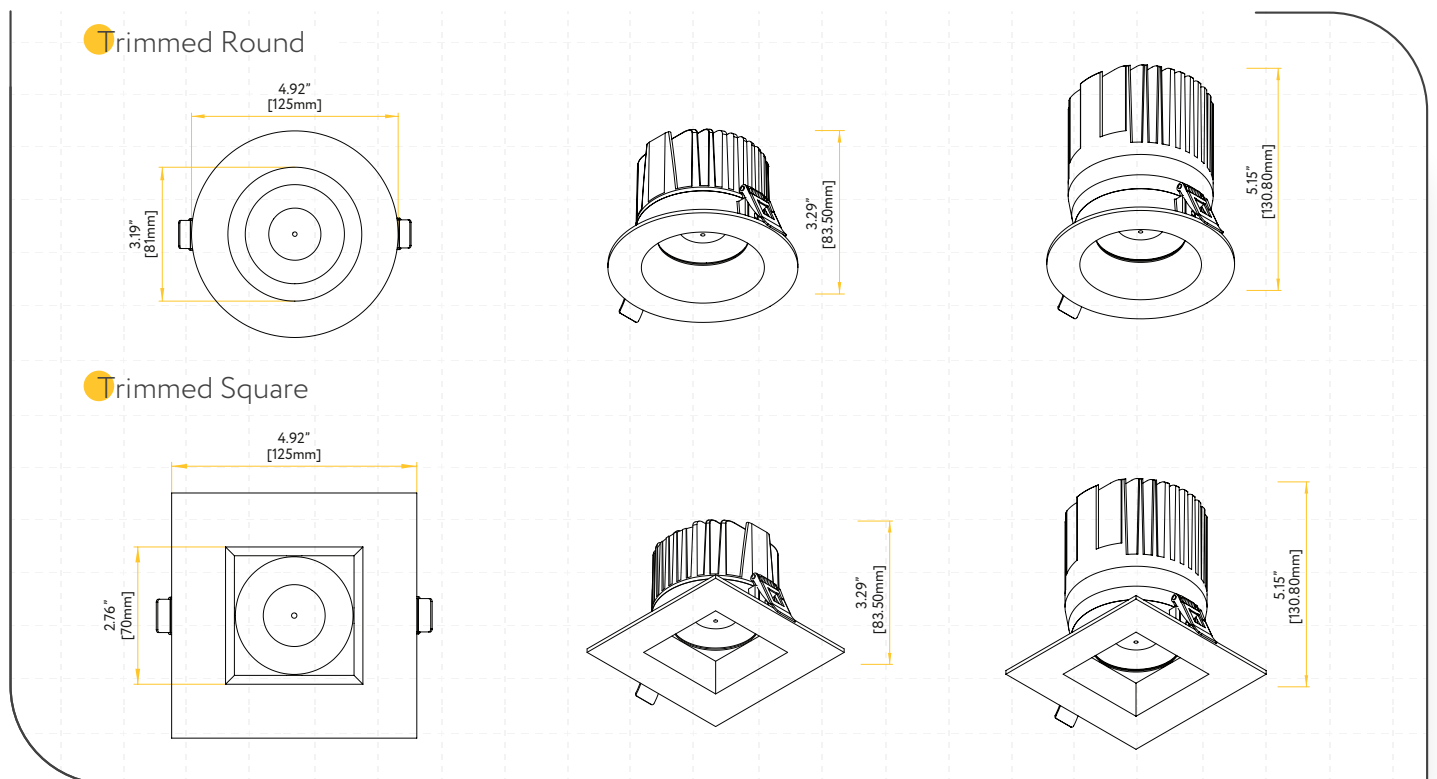
### New Construction Plate

G-19975

# Trims Options



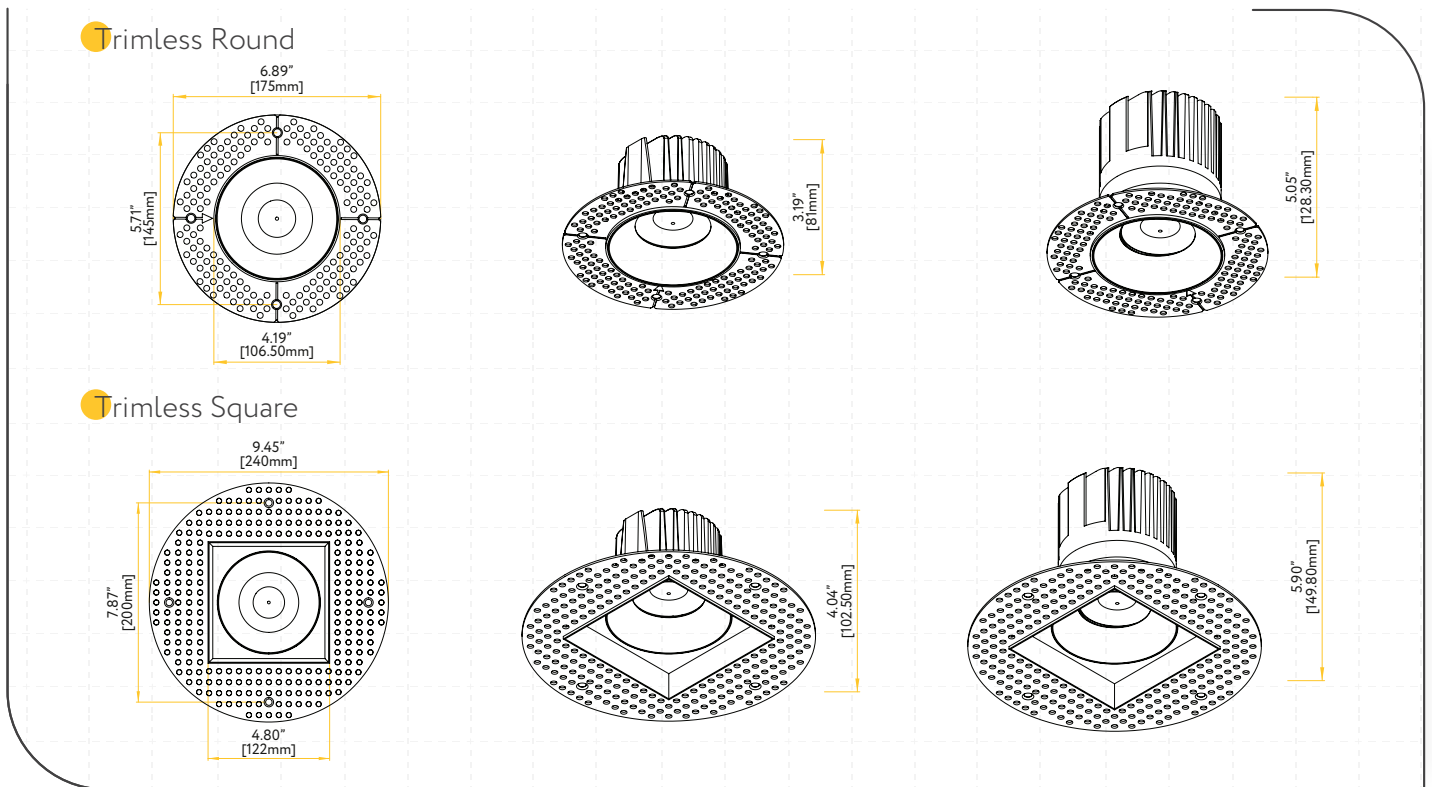
STYLE	CUT OUT	OD	HEIGHT	PLATE	PACK
TRIMMED	4.25"	4.92"	W/G-10020 3.29" / W/G-10025 5.15"	G-19975 3 Punch Out	36



# Trimless Options



STYLE	CUT OUT	OD	HEIGHT	PLATE	PACK
TRIMLESS ROUND	4.25"	6.89"	W/G-10020 3.19" / W/G-10025 5.05"	G-19975 4 Punch Out	36
TRIMLESS SQUARE	Sq 4.80" / Rd 6.75"	9.45"	W/G-10020 4.04" / W/G-10025 5.90"	G-19975 6 Punch Out	36



## Wall Wash

White

G-10520



T4/R/WW/W/G2

Black

G-10521



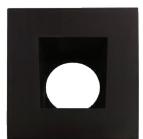
T4/R/WW/BL/G2

G-10620



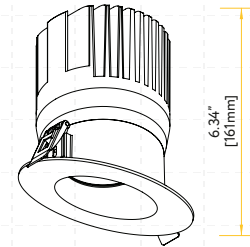
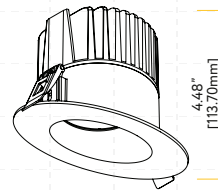
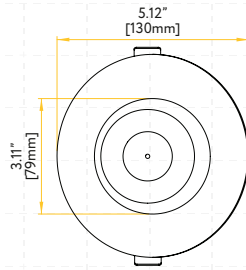
T4/SQ/WW/WG2

G-10621

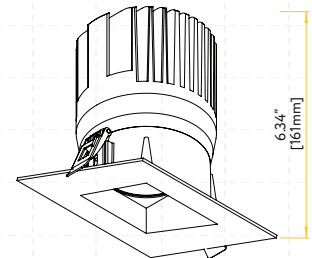
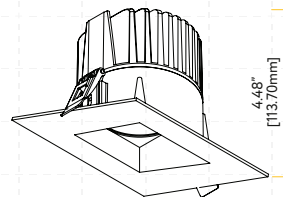
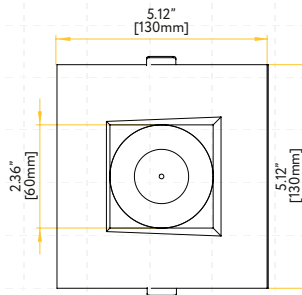


T4/SQ/WW/BL/G2

### Wall Wash Round

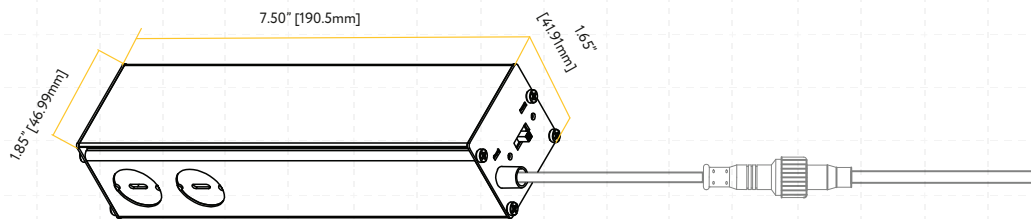


### Wall Wash Square

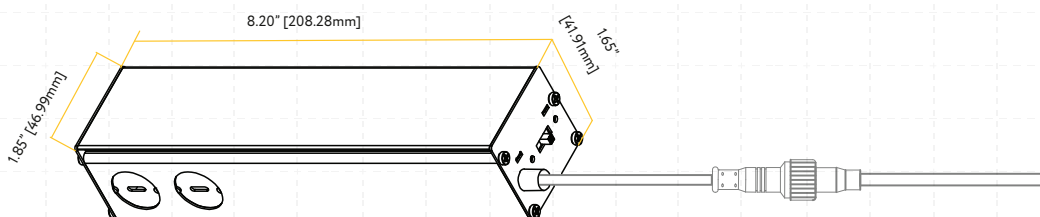


STYLE	CUT OUT	OD	HEIGHT	PLATE	PACK
TRIM WALL WASH	4.25"	5.12"	W/G-10020 4.48" / W/G-10025 6.34"	G-19975 3 Punch Out	36

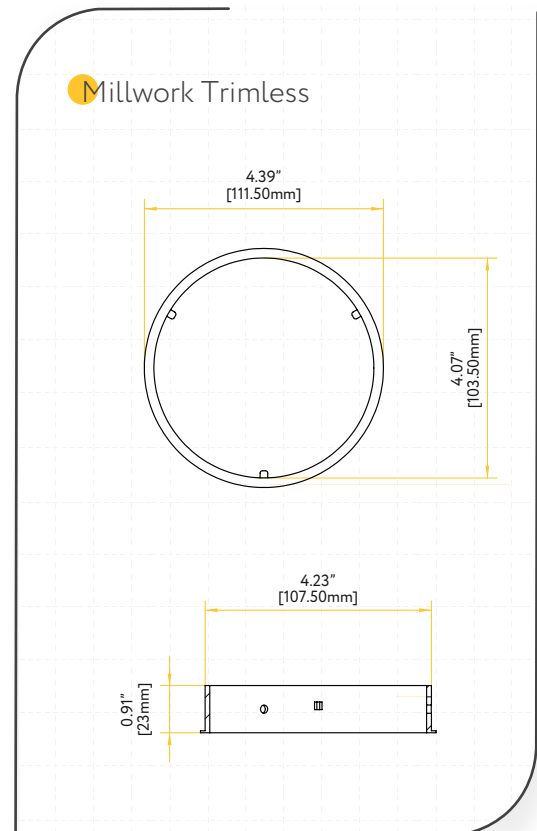
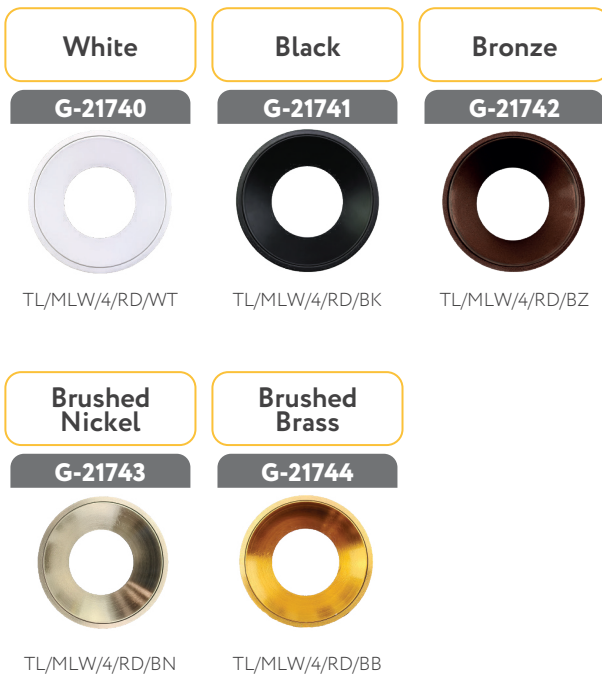
### Driver Box for G-10020



### Driver box for G-10025



## Millwork Trimless



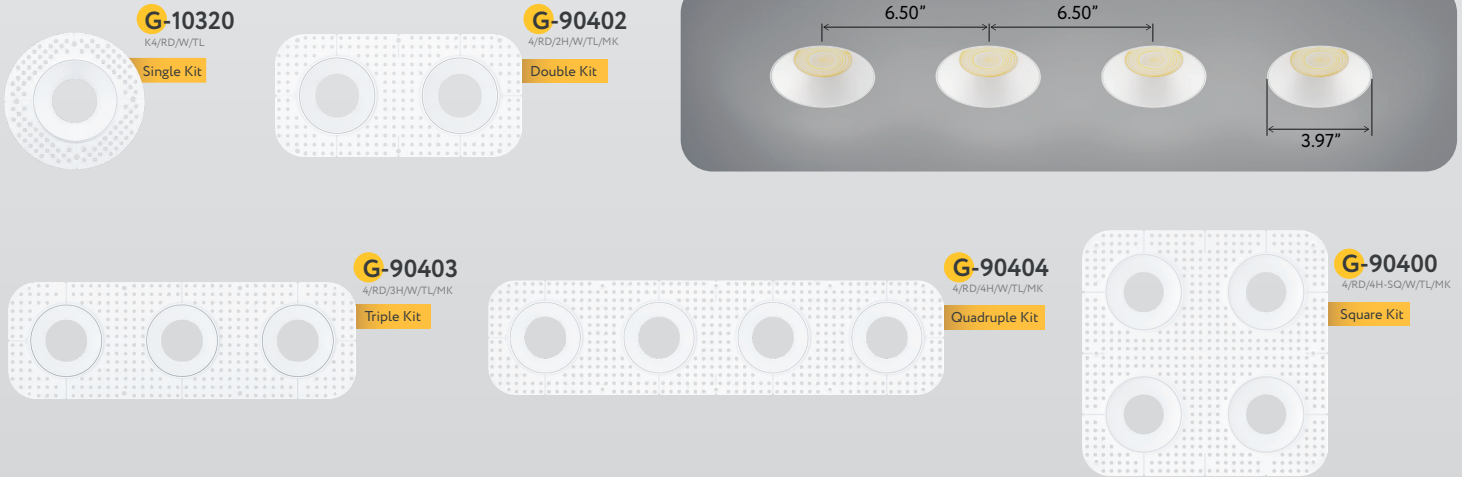
STYLE	CUT OUT	OD	HEIGHT
MILLWORK TRIMLESS	4.23"	4.39"	W/G-10020 3.19" / W/G-10025 5.05"

## Dimmer List

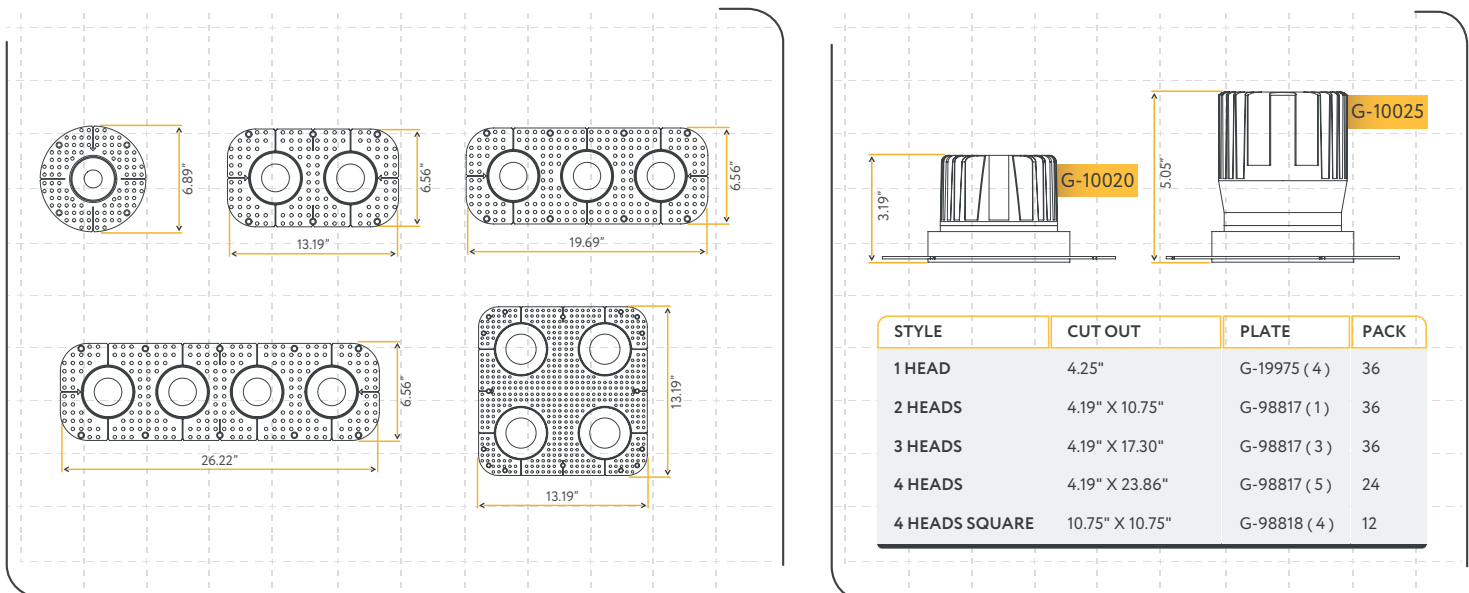
BRAND	SERIES	MODEL	LOAD	BRAND	SERIES	MODEL	LOAD
LUTRON	SKYLARK CONTOUR	LECL-153P	150W	LUTRON	TOGGLER	TGCL-153P	150W
		CTCL-150H	150W		ARIADNI	AYCL-153P	150W
		LGCL-153PLH	150W		MAESTRO	MACL-153M	600W
		CTCL-153P	150W	LEVITON	ILLUMATECH	IPL06	150W
		SCL-153P	150W		SURESLIDE	6672	150W
		S-600P	600W	6674	150W		
	CASETA	PD-6WCL	150W	EATON	SMART DIMMER	AAL06	300W
		PD-5NE	150W	PASS & SEYMOUR	HARMONY	DCL453PTCCCV6	150W
		PD-10NXD	250W	GE	ROCKER	10464	150W
	DIVA	DVCL-153P	150W		TOGGLE	18027	150W

# 4" MULTI HEAD INTERCHANGEABLE TRIMLESS KITS

## ROUND OPTIONS

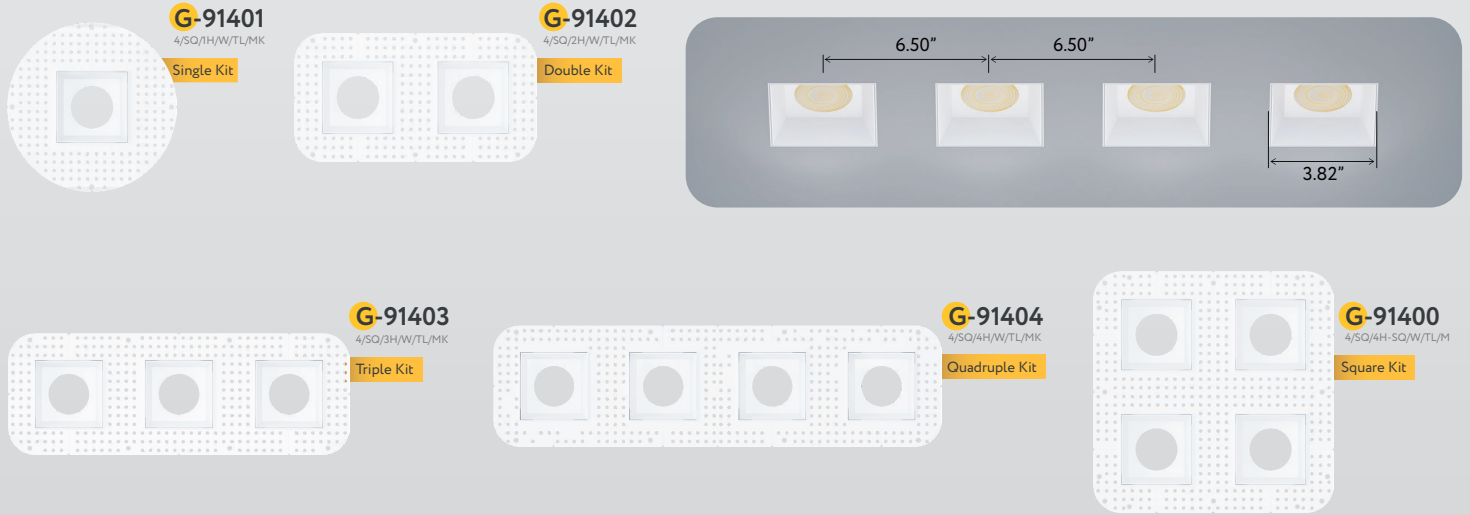


## Dimensions

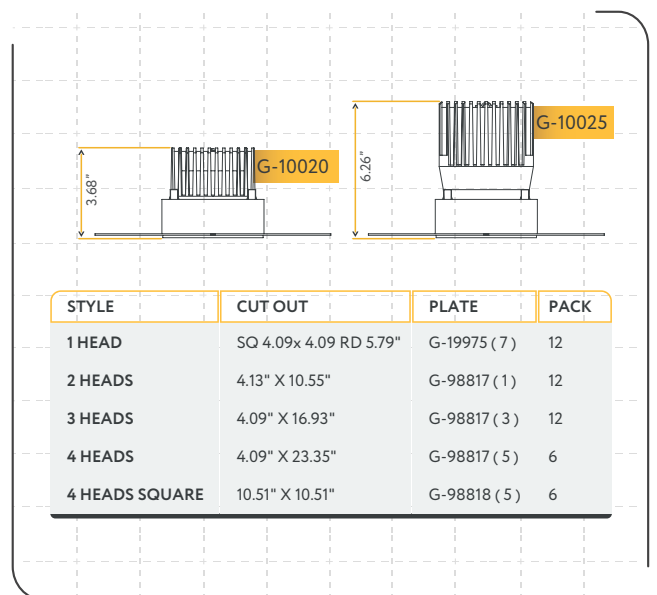
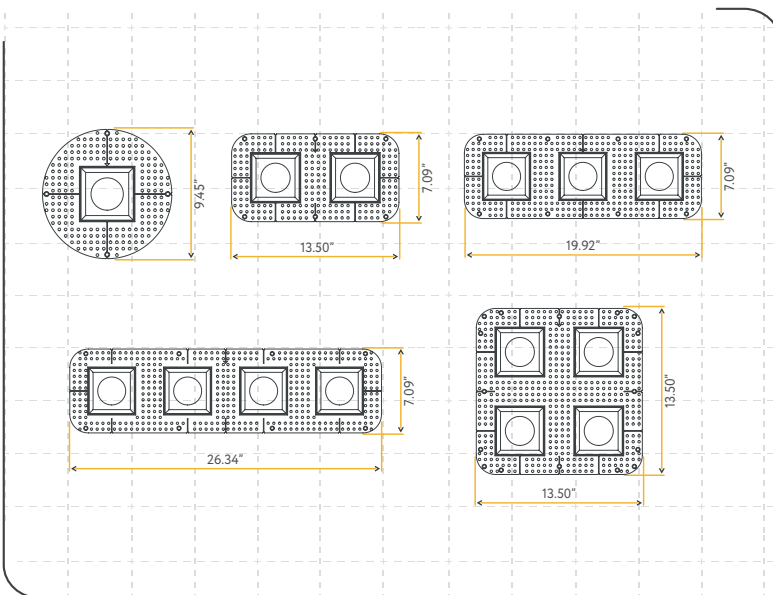


STYLE	CUT OUT	PLATE	PACK
1 HEAD	4.25"	G-19975 (4)	36
2 HEADS	4.19" X 10.75"	G-98817 (1)	36
3 HEADS	4.19" X 17.30"	G-98817 (3)	36
4 HEADS	4.19" X 23.86"	G-98817 (5)	24
4 HEADS SQUARE	10.75" X 10.75"	G-98818 (4)	12

## SQUARE OPTIONS



## Dimensions



STYLE	CUT OUT	PLATE	PACK
1 HEAD	SQ 4.09x 4.09 RD 5.79"	G-19975 (7)	12
2 HEADS	4.13" X 10.55"	G-98817 (1)	12
3 HEADS	4.09" X 16.93"	G-98817 (3)	12
4 HEADS	4.09" X 23.35"	G-98817 (5)	6
4 HEADS SQUARE	10.51" X 10.51"	G-98818 (5)	6